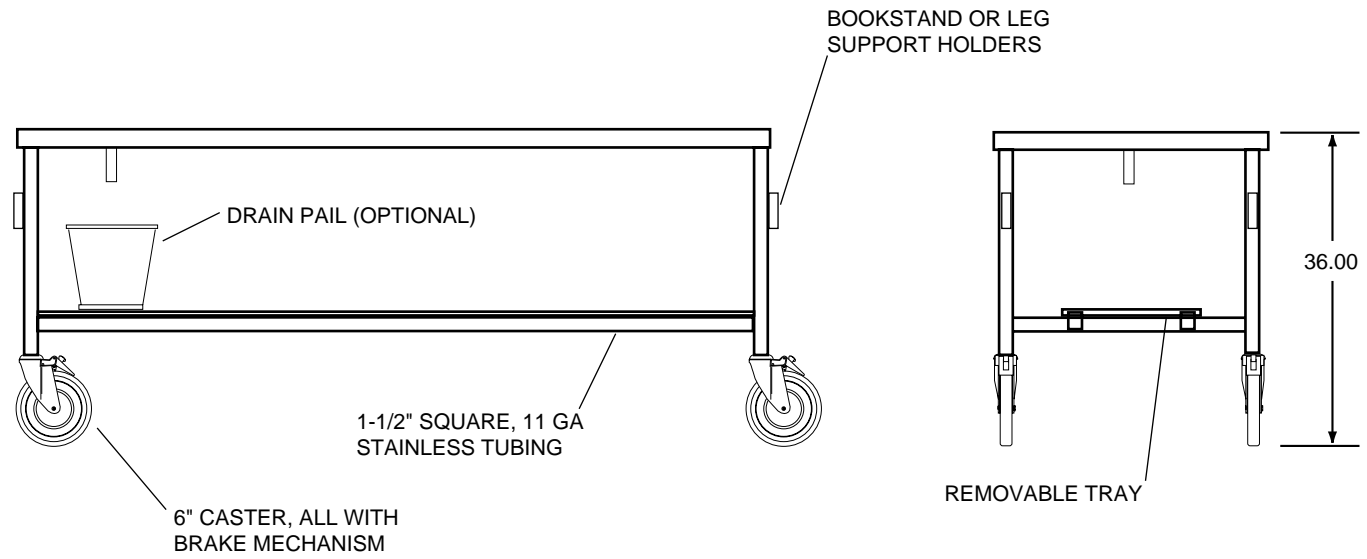


14 GA STAINLESS TOP
CREASED TOWARD DRAIN
FOR INCREASED DRAINAGE



BOOKSTAND OR LEG
SUPPORT HOLDERS

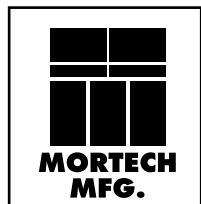
DRAIN PAIL (OPTIONAL)

1-1/2" SQUARE, 11 GA
STAINLESS TUBING

6" CASTER, ALL WITH
BRAKE MECHANISM

36.00

REMOVABLE TRAY



MODEL 600023
STANDARD DISSECTION TABLE

APPROVED BY	DATE	APPROVED BY	DATE	SHEET
MORTECH, MFG.		CLIENT		1 OF 1