



Freezer model available
Model 1036-F105
Freezer operating temperature
0° F

Standard Design Features

Exterior: Front - .032 Type 304 stainless steel with a No. 4 finish. Top, sides, and back - 20 gauge stucco embossed aluminum

Interior: Walls and Ceiling - 20 gauge stucco embossed aluminum floor - 14 gauge smooth aluminum

Dimensions: 97 IN./246 cm. W X 40 in./101 cm. D X 115.5 in./293 cm. H

Insulation: 4 in./10 cm. foamed in place urethane (UL listed, Class 1)

Hardware: Chrome plated

Doors: (3) 84 in./213 cm. x 22 in./55 cm., flush style with magnetic gasket

Carriage Frame: (3) Smooth and quiet rack slide rails using special Delrin rollers

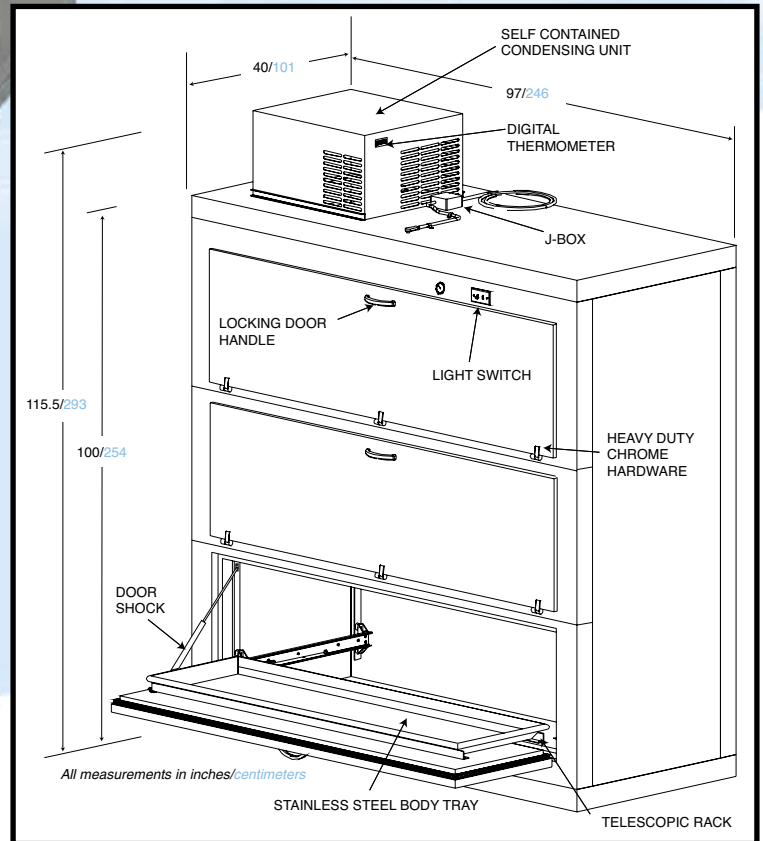
Removable Tray: (3) 18 gauge Type 304 stainless steel

Lighting: 1 - vapor proof light with switch

Refrigeration: Drop-in self-contained refrigeration system with digital thermometer and easy to adjust temperature controller

Operating Temperature: 38° F

Electrical: 115v/60Hz, single phase (other voltage by request)



MODEL 1036-R105 THREE BODY SIDE ACTING REFRIGERATOR