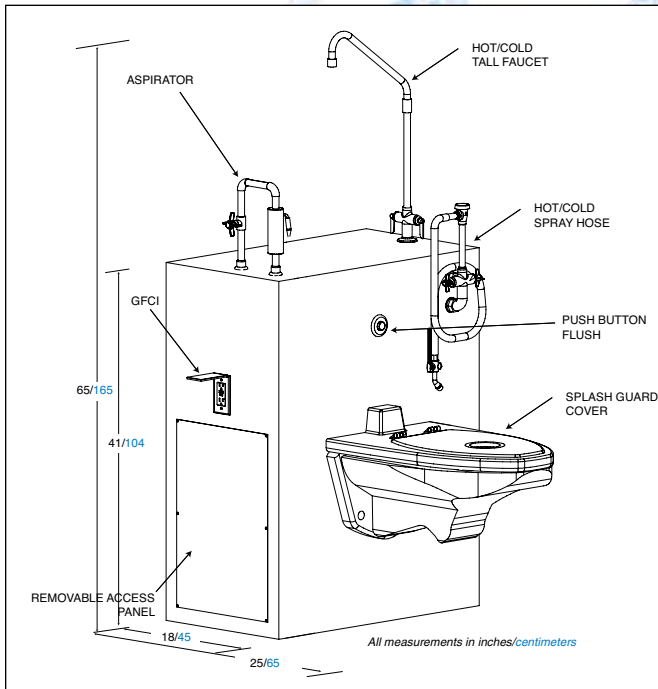


MODEL 1036-13 EMBALMING STATION

411 North Aerojet Avenue
Azusa, CA 91702
www.mortechmfg.com
Tel (800) 410-0100
(626) 334-1471
Fax (626) 334-1704



Need Additional Accessories and Embalming Supplies



Call for more information
(800) 410-0100

Standard Design Features

- All stainless steel construction on rear base housing
- Large white vitreous china flush sink
- Hot and cold water mixing faucet mounted on top deck with high spout for use with your embalming machine
- Deluxe aspirator with reverse flow for additional waste removal: "reverse flow" feature instantly relieves suction clogging by providing a reverse pressure of water.
- Hot and cold spray hose assembly with spray nozzle and 10 feet/3 meters of flexible hose
- Splash cover with port for placement of embalming table drain hose
- Push button control to flush sink basin
- Back flow protection for all fixtures to protect your building water supply

- Waterproof electrical outlet
- Access panel
- Floor or wall mount capability - Must specify at time of order
- Internally plumbed and wired - requiring only single point connection of water and power

Specifications

Top deck height:..... 41 in./104 cm.
Overall height: 65 in./165 cm.
Length (left to right): 32 in./81 cm.
Depth (front to back): 44 in./111 cm.
Shelf depth: 18 in./45 cm.