



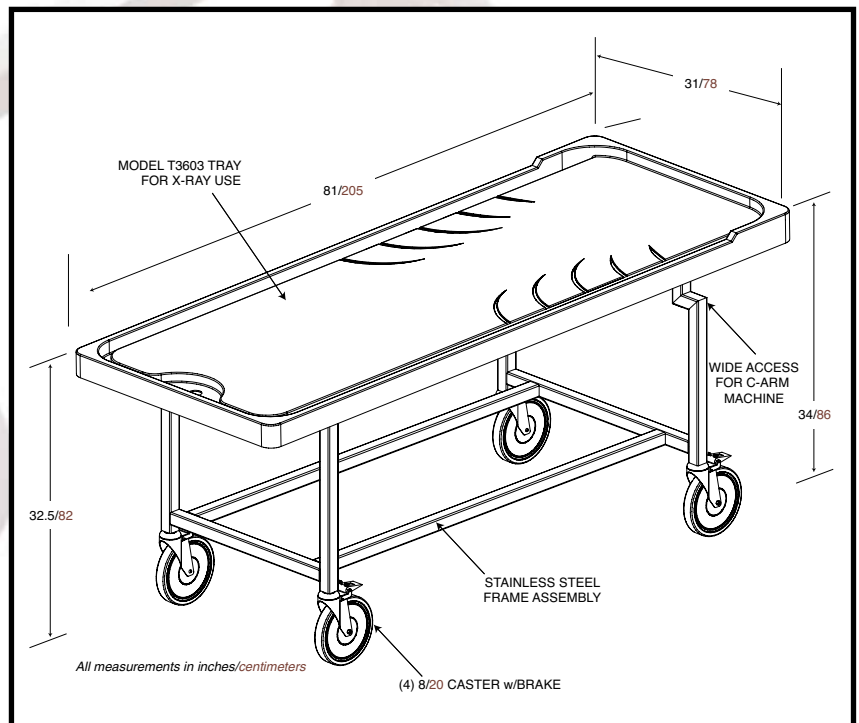
Size: 81/205 x 31/78 x 34/86 high
with T3603 Tray
Design Load: 500 lbs./227 kg.

The Model 600014 C-Arm Accessible Autopsy Carrier is specifically designed for use with c-arm style x-ray machines. The open frame construction allows the c-arm clear travel nearly the entire length of the carrier. The carrier comes with our x-ray type autopsy tray which allows the case to remain on one tray for both the x-ray and autopsy procedures.

STANDARD DESIGN FEATURES

- Fabricated from 1.5 in./3 cm. square, 11 gauge, 304 stainless steel tubing
- Top tray holder fabricated from 1 in./2 cm. square, 11 gauge, 304 stainless steel tubing
- Stainless steel has a grained finish and all welds match adjoining surfaces
- 8 in./20 cm. casters, all with brake mechanism
- Fabricated with a slope of 1.5 in./3 cm.
- Cadaver lift accessible

* All measurements are inches/centimeters



MODEL 600014

C-ARM ACCESSIBLE AUTOPSY CARRIER

411 North Aerojet Avenue • Azusa, CA 91702 • www.mortechmfg.com
Tel (800) 410-0100 • (626) 334-1471 • Fax (626) 334-1704