



**MODEL  
600017C**

**UNIT WILL HOLD  
T3603 OR T3604 TRAY**



**MODEL  
600017FRC**



**MODEL  
600017**

Size: 81/205 x 31/78 x 34/86 high  
with T3603 Tray  
Design Load: 500 lbs./227 kg.

The Model 600017 Autopsy Carrier Series is designed for use with our Model T3603/T3604 Hi-Tech Plastic Cadaver Trays. It is economically priced yet it still performs well under heavy-duty use. It is fabricated with a permanent slope of 1.5 in./3 cm.

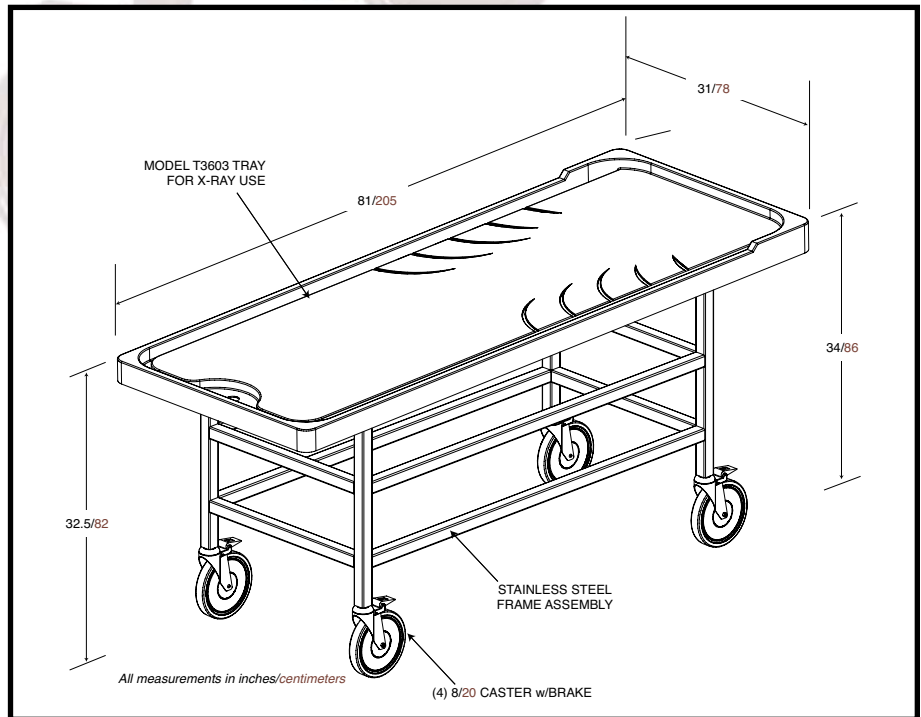
## STANDARD DESIGN FEATURES

- Fabricated from 1.5 in./3 cm. square, 11 gauge, 304 stainless steel tubing
- Top tray holder fabricated from 1 in./2 cm. square, 11 gauge, 304 stainless steel tubing
- Stainless steel has a grained finish and all welds match adjoining surfaces
- 8 in./20 cm. casters, all with brake mechanism
- Cadaver Lift Accessible

## STYLES AVAILABLE

Permanent slope-600017  
Carrier with rear elevation -600017C  
Adjustable up to 6 ft./1 m.  
Carrier with front & rear elevation -600017FRC  
Adjustable up to 6 ft./1 m.

\* All measurements are inches/centimeters



# MODEL 600017 SERIES AUTOPSY CARRIER