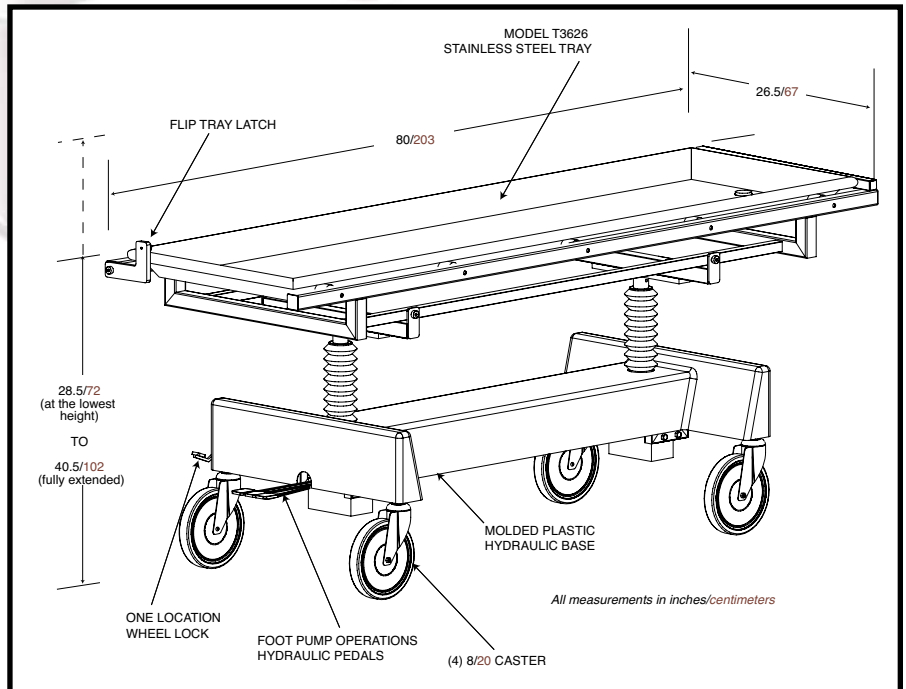


Size: 80/203 x 26.5/67 x 28.5/72 to 40.5/102  
high with T3626 Tray  
Design Load: 600 lbs./273 kg

The Model 600038H Hydraulic Autopsy Carrier with Rollers is designed to accept the standard stainless steel body trays used in the Model 86-129 Roller Rack or any of the Mortuary Refrigerators. The use of rollers allows for easy loading and unloading of cadavers. A flip latch is provided to hold tray in position while in transport. The hydraulic base we utilize will tilt and adjust height via a hydraulic foot pedal. The Model 600038H gives you quick adjustments and individual settings with the option of lowering and raising either end 28.5 in./73 cm. to 40.5 in./102 cm. above the floor for easy preparation from a standing or sitting position. All four 8 in./20 cm. swivel wheels lock instantly with a single foot pedal. Solid surface base eliminates crevices for liquids to coagulate.

\* All measurements are inches/centimeters



# MODEL 600038H HYDRAULIC AUTOPSY CARRIER w/ROLLERS