



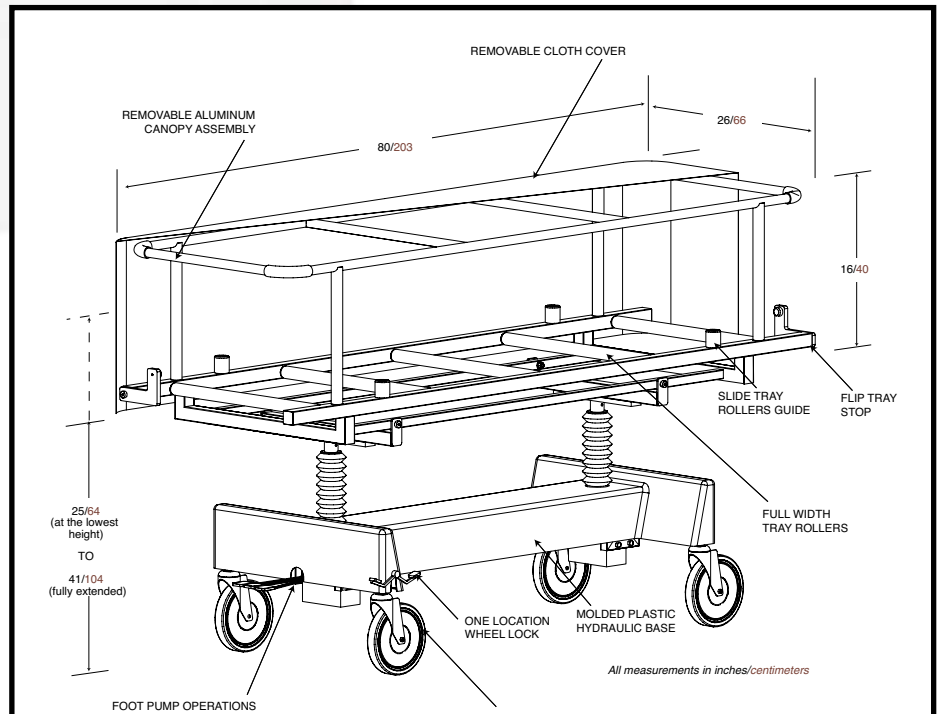
Size: 80/203 x 26/66 x 29.5/74 to 41.5/105 high without canopy
Design Load: 600 lbs./272 kg.

The Model 600040HR Hydraulic Covered Cadaver Carrier With Rollers allows for the concealed removal and transport of a deceased patient from the hospital room to the morgue. The carrier gives the illusion of being a standard empty gurney while hiding the cadaver beneath a specially fabricated top cover. A roller top frame allows easy transfer of body tray from carrier to lift or carrier to refrigerator. The unit features stainless steel construction and adjustable elevation via foot pedal operated hydraulics.

STANDARD DESIGN FEATURES

- Heavy gauge stainless steel roller frame and cadaver tray
- Hydraulic base with height adjustments via hydraulic foot pedal
- All four 8 in./20 cm. swivel wheels lock instantly with a single foot pedal
- Solid surface base eliminates crevices for liquids to coagulate.
- Sturdy, lightweight aluminum top frame to conceal cadaver and is easily removable
- Custom fabricated cover made of gray launderable cloth
- Hydraulic mechanism elevates cadaver tray to 41.5 in./105 cm.

* All measurements are inches/centimeters



MODEL 600040HR CADAVER CARRIER w/ROLLERS

411 North Aerojet Avenue • Azusa, CA 91702 • www.mortechmfg.com
Tel (800) 410-0100 • (626) 334-1471 • Fax (626) 334-1704