



Model GL117 Pathology Workstation is an economical space saving unit that comes with all required features for any grossing procedure. We also carry a complete listing of optional accessories to fulfill anyone's personal needs.

### Standard Design Features

- All stainless steel construction of the entire work area and all exterior closure panels.
- Exhaust duct for connection to building ventilation system with adjustable bellows
- Hot and cold water mixing faucet with gooseneck spout and wrist blade handles
- Spray hose assembly with hand control
- Heavy-duty commercial waste disposal (1/2 hp) with vacuum breaker and solenoid
- Dissecting area rinse to provide a constant flow of water to work area
- Specimen shelf, welded heavy gauge stainless steel
- Removable stainless steel dissection grid plates located over the drain trough
- Fluorescent, vapor-proof light with switch
- Polyethylene dissection board (Photo Blue)
- GFCI waterproof electrical receptacles

- Dissecting area is sloped toward sink basin for rapid and positive drainage
- Heavy-gauge polished stainless steel leg assembly with welded cross rails to handle heavy-duty usage
- Wheel chair accessible

\* All measurements in inches/centimeters

## MODEL **GL117** PATHOLOGY WORKSTATION w/REAR EXHAUST

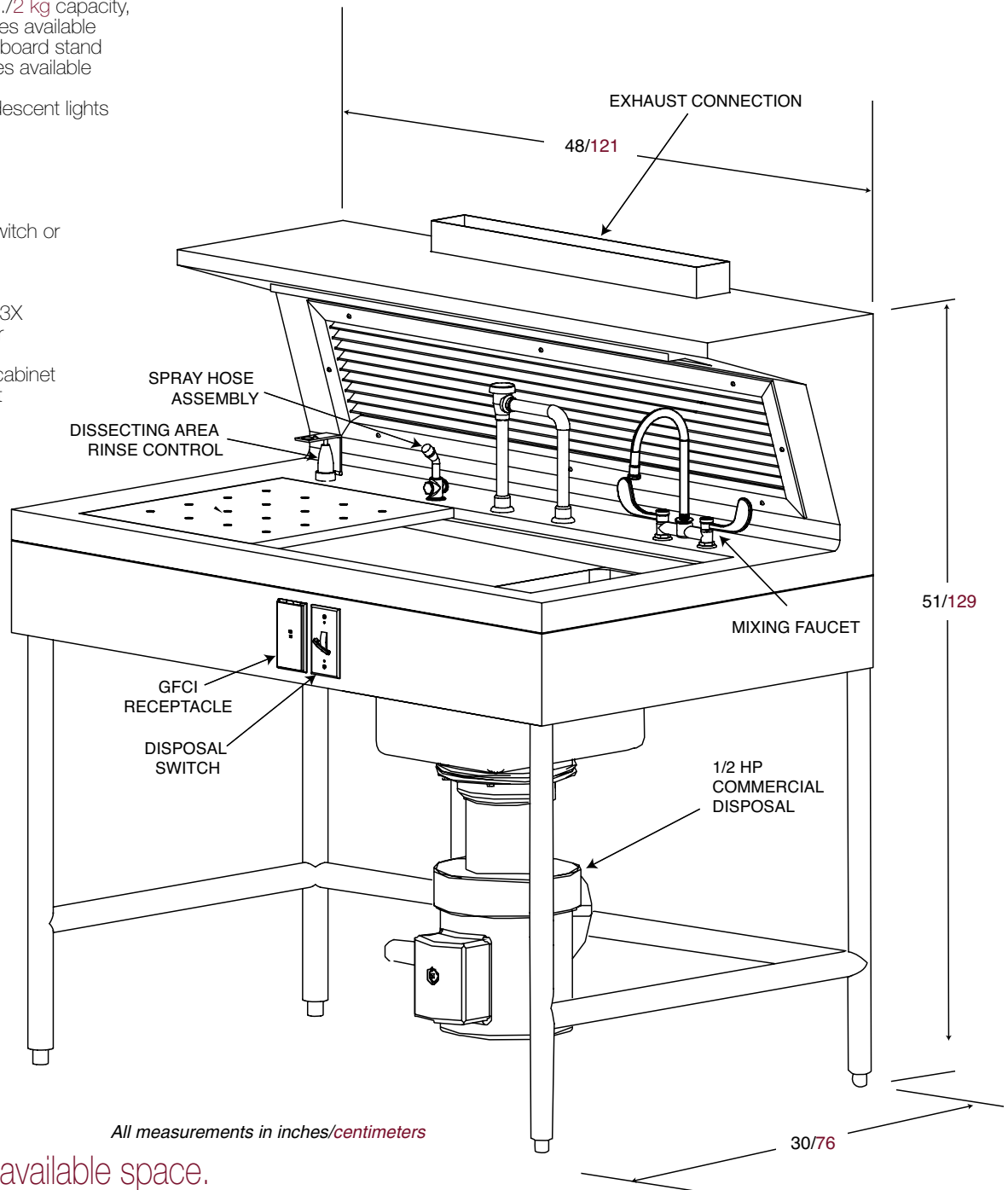
# MODEL GL117

## LAYOUT DRAWING & OPTIONAL FEATURES

411 North Aerojet Avenue  
 Azusa, CA 91702  
 www.mortechmfg.com  
 Tel (800) 410-0100  
 (626) 334-1471  
 Fax (626) 334-1704

### Optional Accessories

- Heavy-duty commercial disposal (3/4 hp, 1 hp, 2 hp)
- CO2 valves / oxygen valves / vacuum valves/compressed air valves
- Digital platform scale, 4 lbs./2 kg capacity, economy or premium grades available
- Computer monitor and keyboard stand premium or standard grades available
- CPU stand
- Flex arm halogen or incandescent lights
- Plexiglass splash shield
- Cassette holder
- Form holder
- Ventilated trash container
- Removable measuring rule
- Dictation machine w/footswitch or voice operations
- Dictation equipment stand
- Eyewash assembly
- Fluorescent magnifier light-3X
- Magnetic instrument holder
- Utility drawer
- GL125 base assembly w/cabinet
- Flammable storage cabinet
- End rinse assembly
- Rinse assembly valve
- Pull out writing platform
- Glove box holder



Options based on available space.

When planning an order, please call us and we will assist you in determining which options to choose.