



The Model GL119 Pathology Work Station provides side downward exhaust to the dissecting area. The unit can be operated from either side.

Standard Design Features

- All stainless steel construction of the entire work area and all exterior closure panels.
- Exhaust duct for connection to building system
- Downward exhaust on both sides of dissecting area
- Integral sink with mixing faucet
- Hot and cold hand spray assembly
- 1/2 hp commercial disposal with waterproof switch
- Dissecting area rinse assembly
- Raised perforated dissecting trays
- (4) Instrument drawers
- Pull out writing platform
- Polyethylene dissecting board (Photo Blue)
- GFCI waterproof duplex receptacle

* All measurements in inches/centimeters

MODEL GL119

SIDE EXHAUST PATHOLOGY WORKSTATION

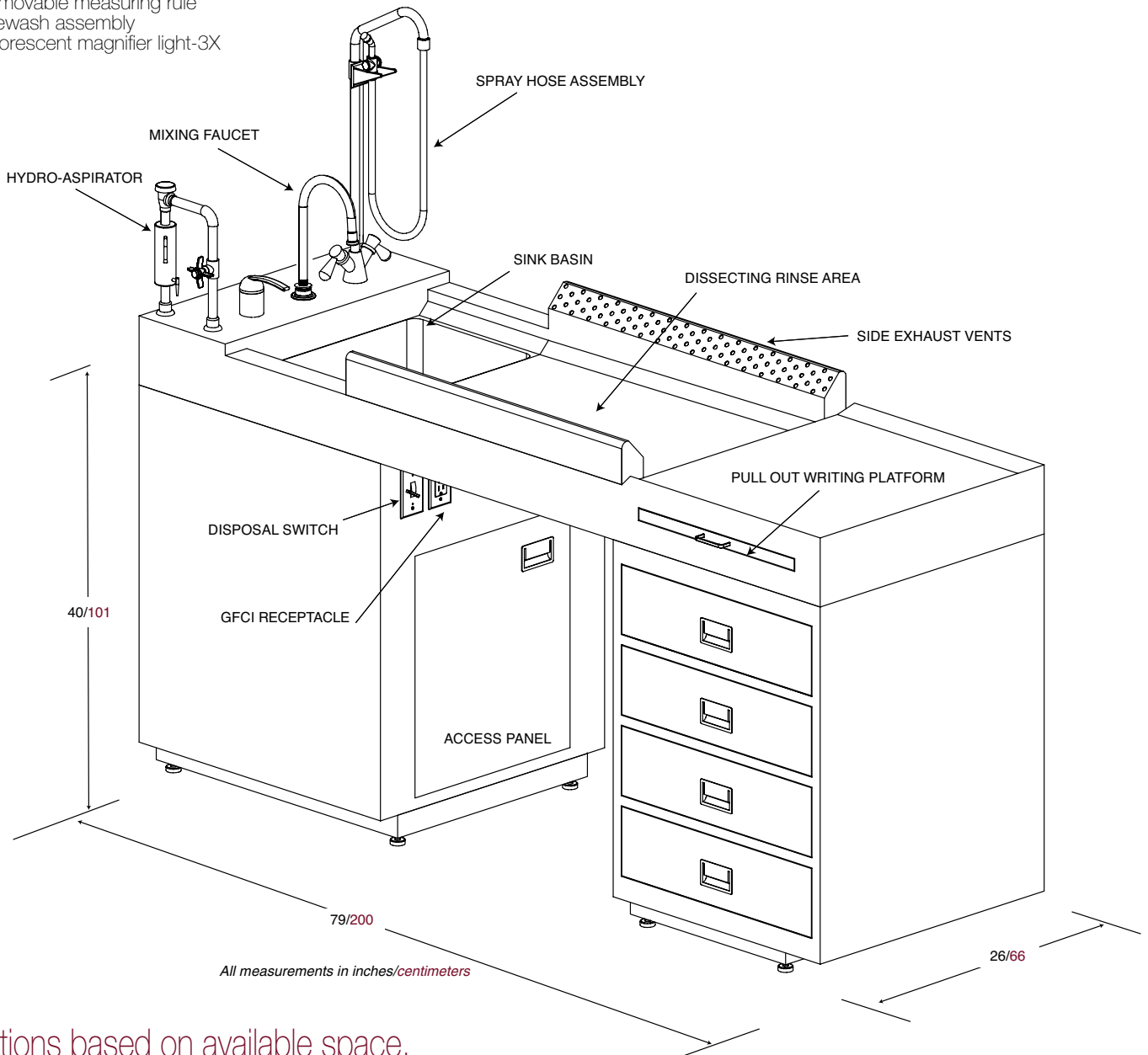
MODEL GL119

LAYOUT DRAWING & OPTIONAL FEATURES

411 North Aerojet Avenue
 Azusa, CA 91702
 www.mortechmfg.com
 Tel (800) 410-0100
 (626) 334-1471
 Fax (626) 334-1704

Optional Accessories

- Heavy-duty commercial disposal (3/4 hp, 1 hp, 2 hp)
- CO2 valves / oxygen valves / vacuum valves/compressed air valves
- Digital platform scale, 4 lbs./2 kg capacity, economy or premium grades available
- Computer monitor and keyboard stand premium or standard grades available
- CPU stand
- Ventilated trash container
- Removable measuring rule
- Eyewash assembly
- Fluorescent magnifier light-3X



Options based on available space.

When planning an order, please call us and we will assist you in determining which options to choose.