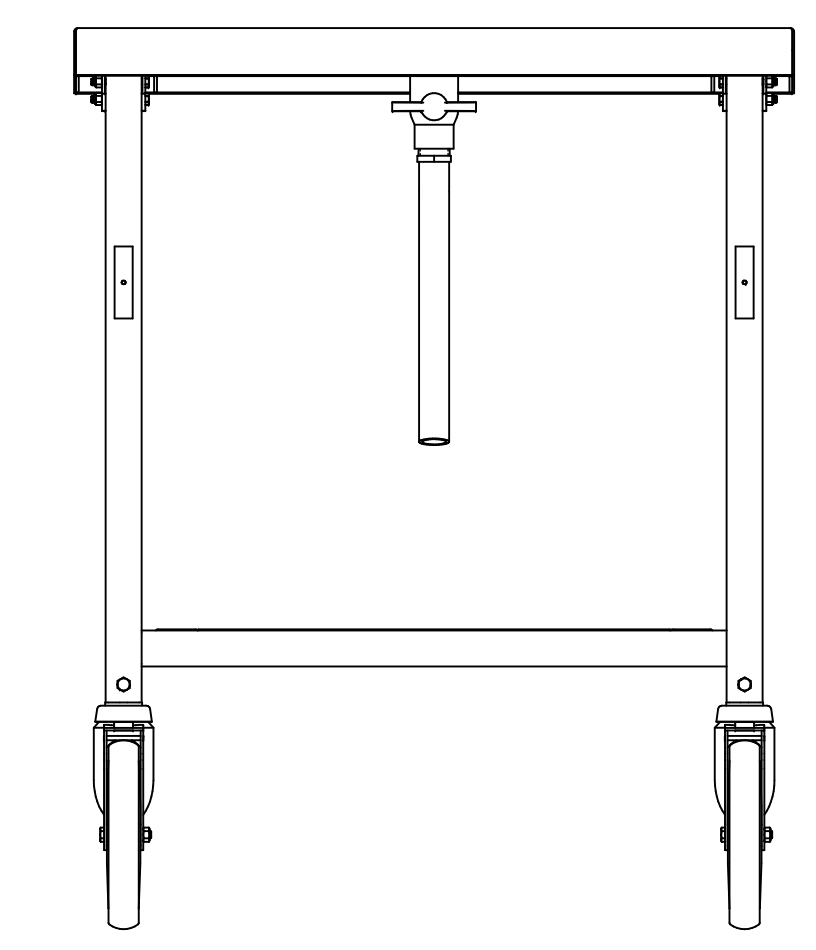
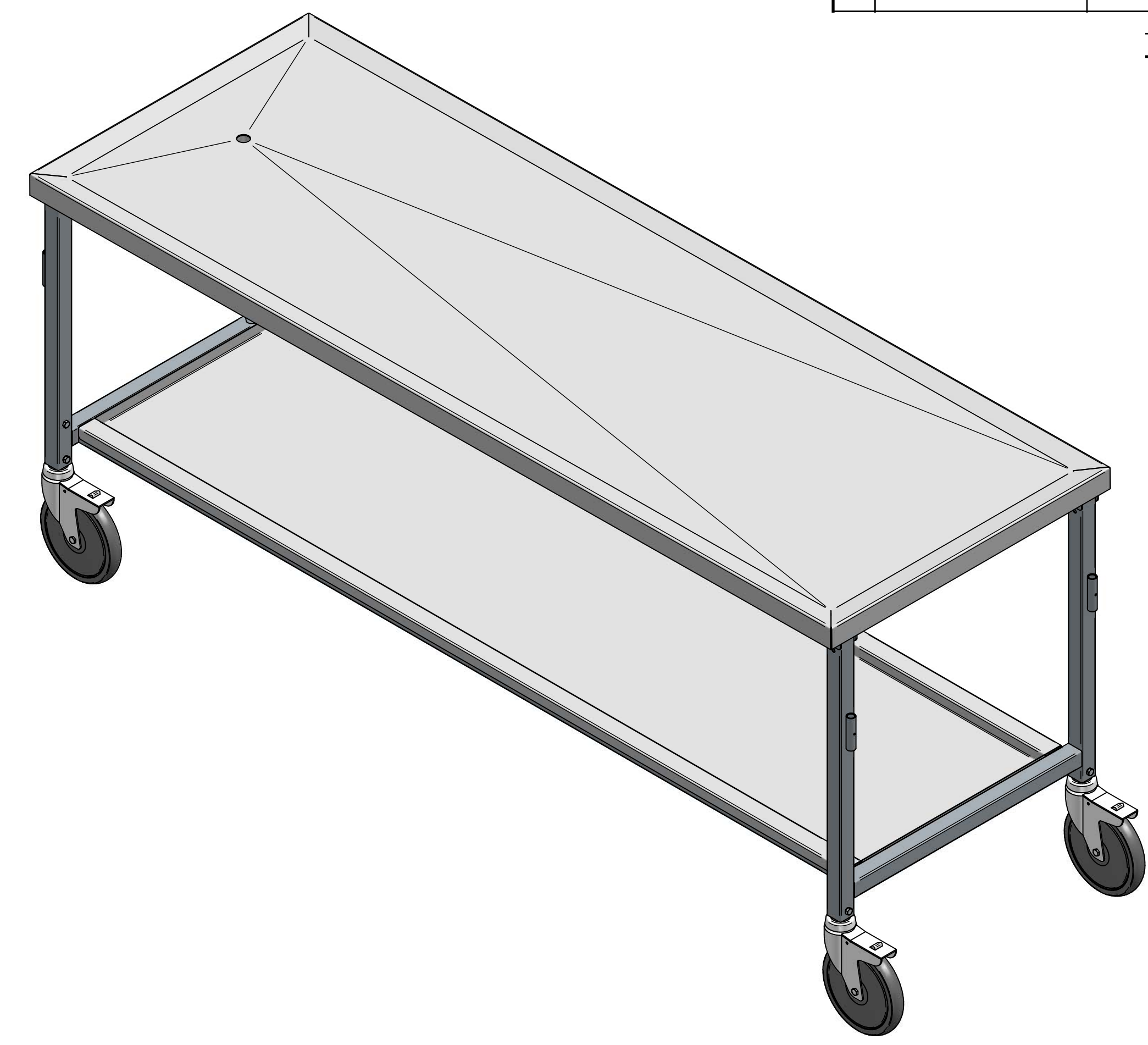
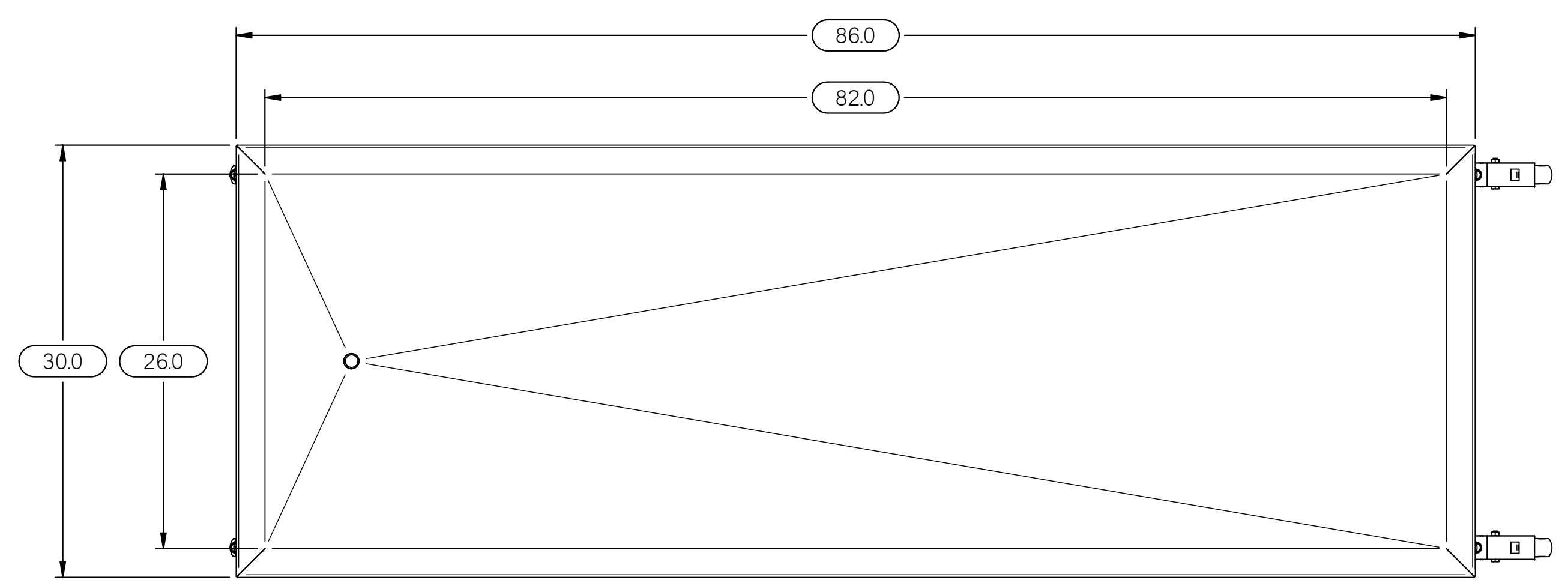


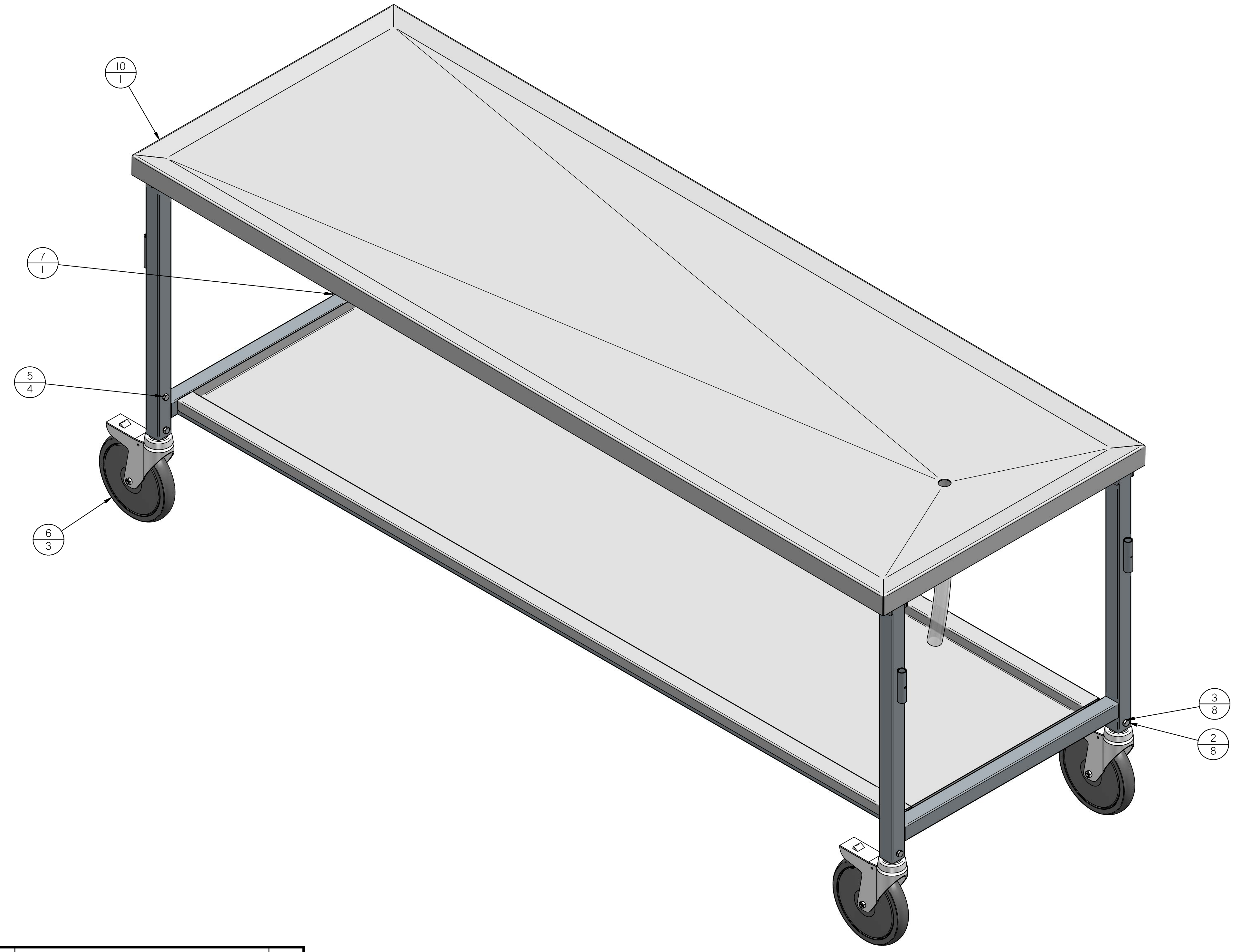
REV	DESCRIPTION	DATE	ECN #	APPR
A	INITIAL RELEASE	00-XXX-19	XXXXX	MM



MOPEC LEGAL NOTE THIS DOCUMENT CONTAINS PROPRIETARY INFORMATION OF MOPEC, AND MAY NOT BE COPIED IN WHOLE OR PART, AND NO USE SHALL BE MADE OF IT OTHER THAN FOR WHICH IT HAS BEEN SUBMITTED WITHOUT THE WRITTEN PERMISSION OF A MOPEC MANAGER MOPEC 2024	UNLESS OTHERWISE SPECIFIED ALL DIMENSIONS IN INCHES TOLERANCES: 0.0 ± 0.1 in, 0.00 ± 0.05 in, 0.000 ± 0.010 in, 0.0000 ± 0.0010 in, ANGLES ±0.5° BREAK ALL CORNERS 0.063 X 45°, ALL FILLET RADII R0.063 /0.125in, INSPECT OVAL DIMENSIONS	MATERIAL:	 DRAWN TO 3RD ANGLE PROJECTION	DRAWN BY: jbourbeau DATE: 3/28/2022	PART NUMBER: HA200-B
				CHECKED BY: --- DATE: 3/28/2022	DESCRIPTION: DISSECTING TABLE CREASED TOP
APPROVED BY: M.McCLAIN DATE: 3/28/2022				SIZE: A2 SCALE: 1:1	FILE NAME: HA200-B.dft DO NOT SCALE IF IN DOUBT ASK SHEET 1 OF 2

HA200-B.dft

REV	DESCRIPTION	DATE	ECN #	APPR
A	INITIAL RELEASE	00-XXX-19	XXXXX	MM

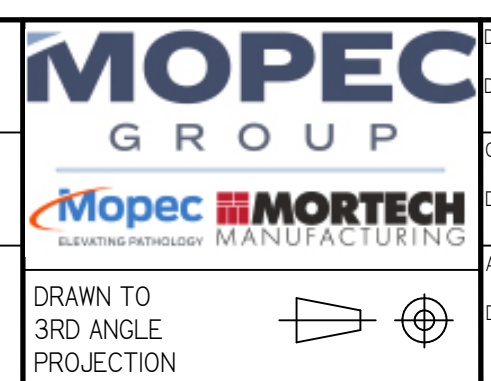


Item #	Qty.	File Name	Title	Material	Rev.
1*	8	PB0016.par	NUT - SS, 1/4"-20, NYLON LOCK	McMASTER-CARR # 91831A029	A
2	8	PB0137.par	BOLT - ZINC, M8 x 1.25 x 14mm, HEX HEAD	McMASTER-CARR # 91280A525	A
3	8	PB0211.par	WASHER - SS, M8 x 5/16", SERRATED BELLEVILLE	McMASTER-CARR # 90895A030	A
4*	8	PB0303.par	BOLT - SS - 1/4-20 x 2-1/4" PARTIAL THREAD	McMASTER-CARR # 92198A551	A
5	4	PB0413.par	HEX BOLT - 5/16"-18 x 3/4" Long	McMASTER-CARR # 92240A581	
6	3	PD0026.par	CASTER - 8" TL (POWDER COATED) RED	TENTE # 2447UAP200R05-28	A
7	1	PD0027.par	CASTER - 8" DL (POWDER COATED) GREEN	TENTE # 2441UAP200R05-28	A
8*	1	PP1001-A.par	DRAIN TUBE	PVC TUBING, 1" I.D. x 1-1/4" O.D.	A
9*	4	S2290-E.par	CASTER ADAPTER, 1-1/2" SQ. 16 GA. TUBE	RM0620, TUBING, RND, MS, 1-3/8" OD X 10 GA. DOM	E
10	1	S4924-B.asm	HA200		B

MOPEC LEGAL NOTE
 THIS DOCUMENT CONTAINS PROPRIETARY INFORMATION OF MOPEC, AND MAY NOT BE COPIED IN WHOLE OR PART, AND NO USE SHALL BE MADE OF IT OTHER THAN FOR WHICH IT HAS BEEN SUBMITTED WITHOUT THE WRITTEN PERMISSION OF A MOPEC MANAGER
 MOPEC 2024

UNLESS OTHERWISE SPECIFIED ALL DIMENSIONS IN INCHES
 TOLERANCES
 0.0 ± 0.1 in
 0.00 ± 0.05 in
 0.000 ± 0.010 in
 0.0000 ± 0.0010 in
 ANGLES ±0.5°
 BREAK ALL CORNERS 0.063 X 45°
 ALL FILLET RADII R0.063 /0.125in
 INSPECT OVAL DIMENSIONS

MATERIAL



DRAWN BY: jbourbeau
 DATE: 3/28/2022
 CHECKED BY:
 DATE: ---
 3/28/2022
 APPROVED BY:
 DATE: M.McCLAIN
 3/28/2022

PART NUMBER: HA200-B
 DESCRIPTION: DISSECTING TABLE CREATED TOP
 SIZE: A2 FILE NAME: HA200-B.dft
 SCALE: 2:1
 DO NOT SCALE IF IN DOUBT ASK
 SHEET 2 OF 2

HA200-B.dft