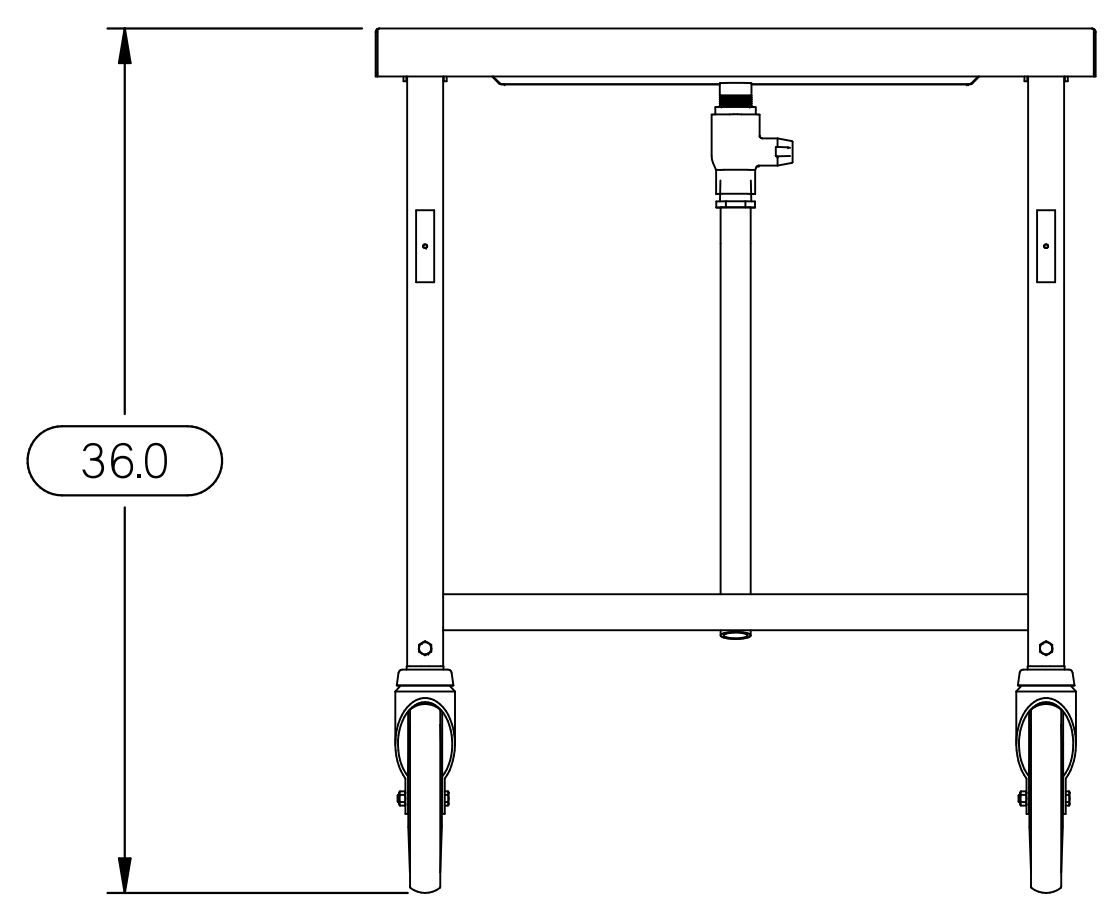
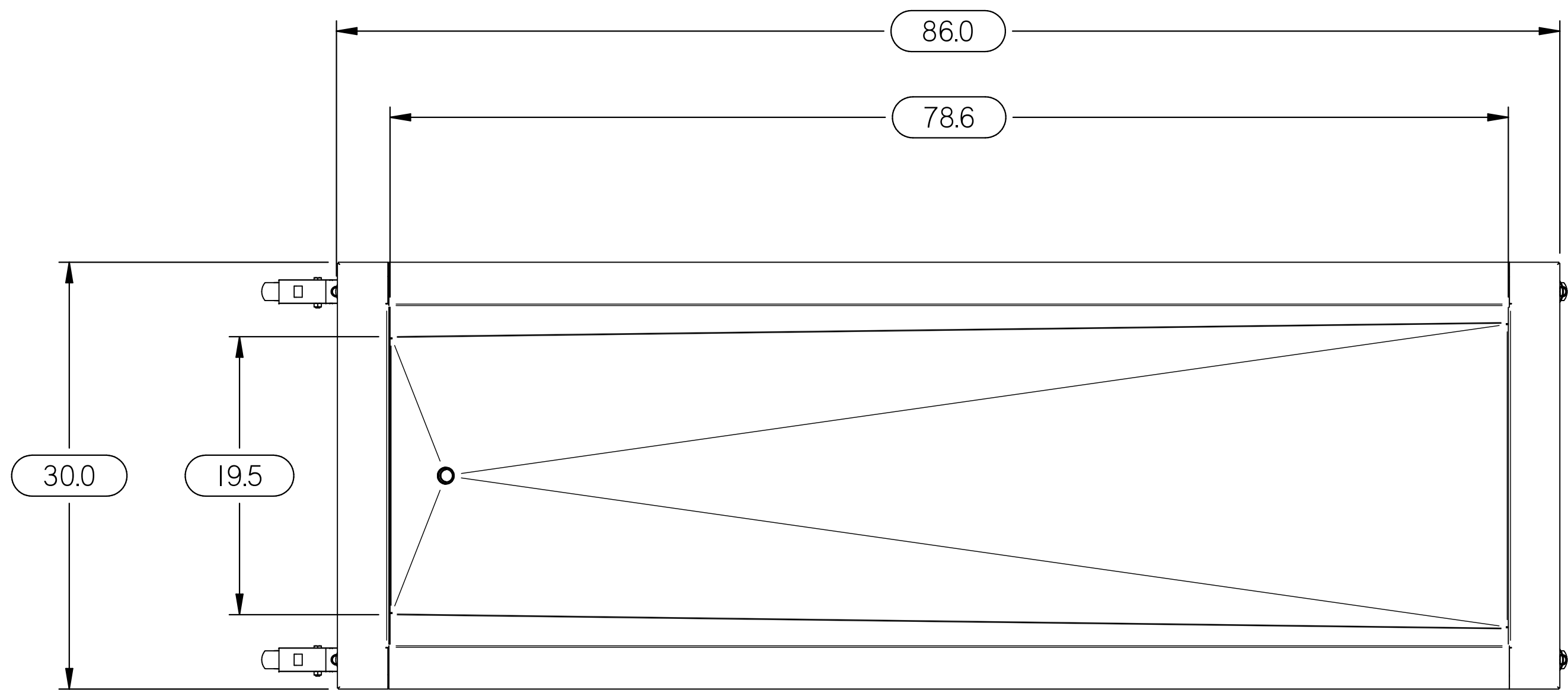
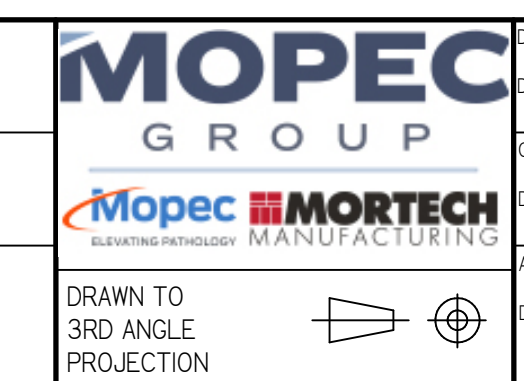


| REV | DESCRIPTION | DATE | ECN # | APPR |
|-----|-----------------|-----------|-------|------|
| A | INITIAL RELEASE | 00-XXX-19 | XXXXX | MM |



MOPEC LEGAL NOTE
 THIS DOCUMENT CONTAINS PROPRIETARY INFORMATION OF MOPEC, AND MAY NOT BE COPIED IN WHOLE OR PART, AND NO USE SHALL BE MADE OF IT OTHER THAN FOR WHICH IT HAS BEEN SUBMITTED WITHOUT THE WRITTEN PERMISSION OF A MOPEC MANAGER
 MOPEC 2024

UNLESS OTHERWISE SPECIFIED ALL DIMENSIONS IN INCHES
 TOLERANCES 0.0 ± 0.1 in
 0.00 ± 0.05 in
 0.000 ± 0.010 in
 0.0000 ± 0.0010 in
 ANGLES ± 0.5°
 BREAK ALL CORNERS 0.063 X 45°
 ALL FILLET RADII R0.063 / 0.125 in
 INSPECT OVAL DIMENSIONS

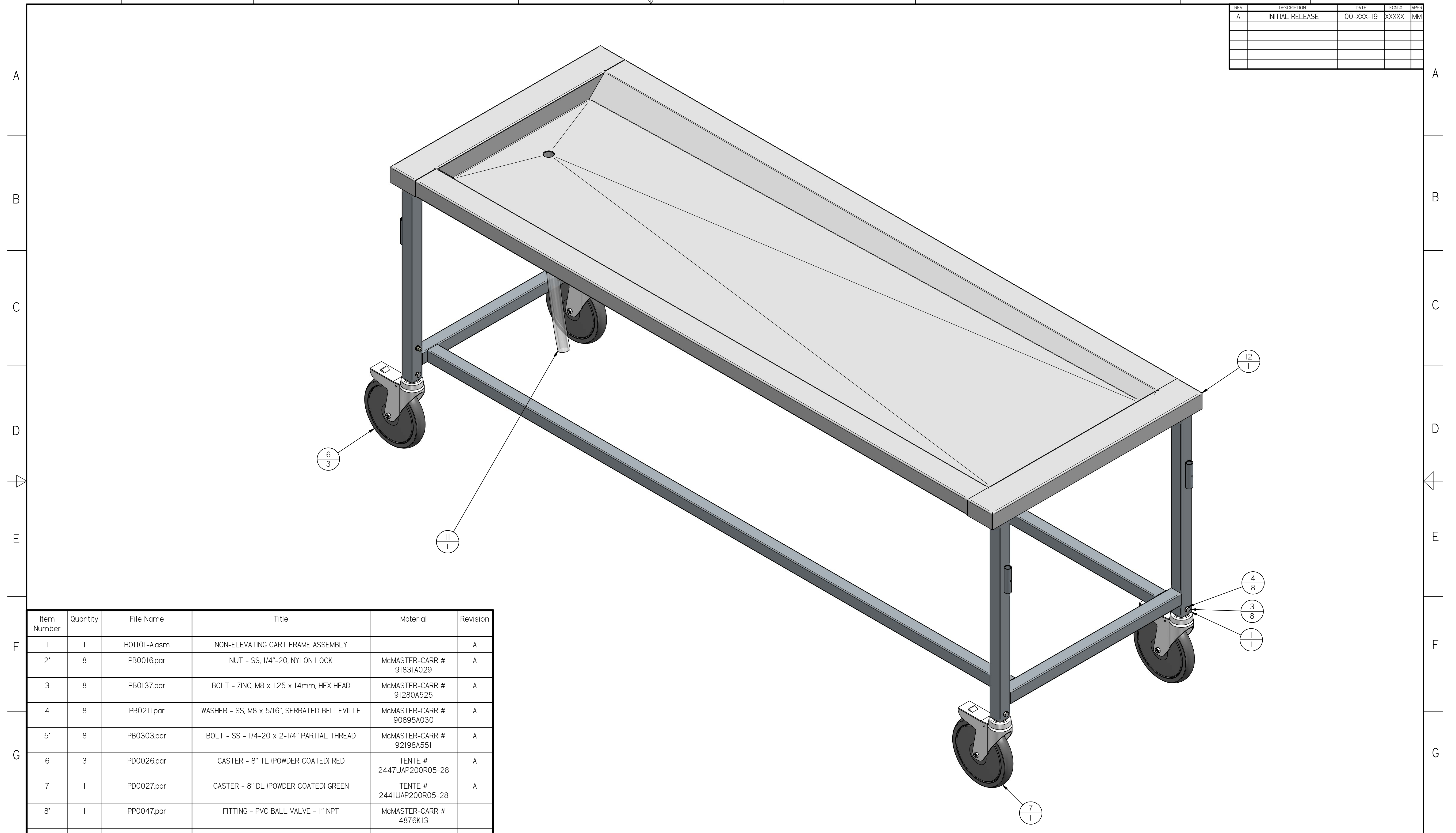


DRAWN BY: dallmayer
 DATE: 5/4/2021
 CHECKED BY:
 DATE: 5/4/2021
 APPROVED BY: M.McCLAIN
 DATE: 5/4/2021

| | | |
|--------------|----------------|------------------------------|
| PART NUMBER | HA210 | |
| DESCRIPTION | HA210 ASSEMBLY | |
| SIZE | A2 | FILE NAME: HA210.dft |
| SCALE | 1:8 | DO NOT SCALE IF IN DOUBT ASK |
| SHEET 1 OF 2 | | REV B |

HA210.dft

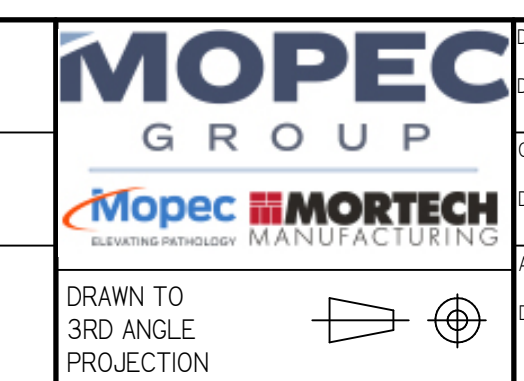
| REV | DESCRIPTION | DATE | ECN # | APPR |
|-----|-----------------|-----------|-------|------|
| A | INITIAL RELEASE | 00-XXX-19 | XXXXX | MM |
| | | | | |
| | | | | |
| | | | | |



| Item Number | Quantity | File Name | Title | Material | Revision |
|-------------|----------|--------------|--|---|----------|
| 1 | 1 | H01101-A.asm | NON-ELEVATING CART FRAME ASSEMBLY | | A |
| 2* | 8 | PB0016.par | NUT - SS, 1/4"-20, NYLON LOCK | McMASTER-CARR # 91831A029 | A |
| 3 | 8 | PB0137.par | BOLT - ZINC, M8 x 1.25 x 14mm, HEX HEAD | McMASTER-CARR # 91280A525 | A |
| 4 | 8 | PB0211.par | WASHER - SS, M8 x 5/16", SERRATED BELLEVILLE | McMASTER-CARR # 90895A030 | A |
| 5* | 8 | PB0303.par | BOLT - SS - 1/4-20 x 2-1/4" PARTIAL THREAD | McMASTER-CARR # 92198A551 | A |
| 6 | 3 | PD0026.par | CASTER - 8" TL (POWDER COATED) RED | TENTE # 2447UAP200R05-28 | A |
| 7 | 1 | PD0027.par | CASTER - 8" DL (POWDER COATED) GREEN | TENTE # 2441UAP200R05-28 | A |
| 8* | 1 | PP0047.par | FITTING - PVC BALL VALVE - 1" NPT | McMASTER-CARR # 4876K13 | |
| 9* | 1 | PP0121.par | PVC ADAPTER - 1" MNPT X 3/4" BARB | McMASTER-CARR # 48315K93 | |
| 10* | 4 | S2290-E.par | CASTER ADAPTER, 1-1/2" SQ. 16 GA. TUBE | RM0620, TUBING, RND, MS, 1-3/8" OD X 10 GA, DOM | E |
| 11 | 1 | S6924-A.par | LONG DRAIN TUBE | PVC TUBING, 1" I.D. x 1-1/4" O.D. | A |
| 12 | 1 | S6990-A.asm | NON-VENTED CART TOP FINAL WELDMENT | | A |

MOPEC LEGAL NOTE
 THIS DOCUMENT CONTAINS PROPRIETARY INFORMATION OF MOPEC, AND MAY NOT BE COPIED IN WHOLE OR PART, AND NO USE SHALL BE MADE OF IT OTHER THAN FOR WHICH IT HAS BEEN SUBMITTED WITHOUT THE WRITTEN PERMISSION OF A MOPEC MANAGER
 MOPEC 2024

UNLESS OTHERWISE SPECIFIED ALL DIMENSIONS IN INCHES
 TOLERANCES 0.0 ± 0.1 in
 0.00 ± 0.05 in
 0.000 ± 0.010 in
 0.0000 ± 0.0010 in
 ANGLES ±0.5°
 BREAK ALL CORNERS 0.063 X 45°
 ALL FILLET RADII R0.063 /0.125in
 INSPECT OVAL DIMENSIONS



DRAWN BY: dallmayer
 DATE: 5/4/2021
 CHECKED BY:
 DATE: 5/4/2021
 APPROVED BY: M.McCLAIN
 DATE: 5/4/2021

| | |
|------------------------------|----------------|
| PART NUMBER | HA210 |
| DESCRIPTION | HA210 ASSEMBLY |
| SIZE | A2 |
| FILE NAME | HA210.dft |
| SCALE | 2:1 |
| DO NOT SCALE IF IN DOUBT ASK | |
| SHEET 2 OF 2 | |

HA210.dft