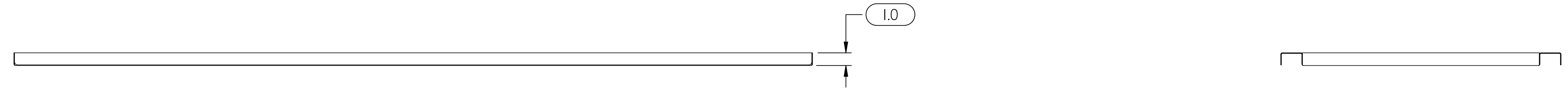
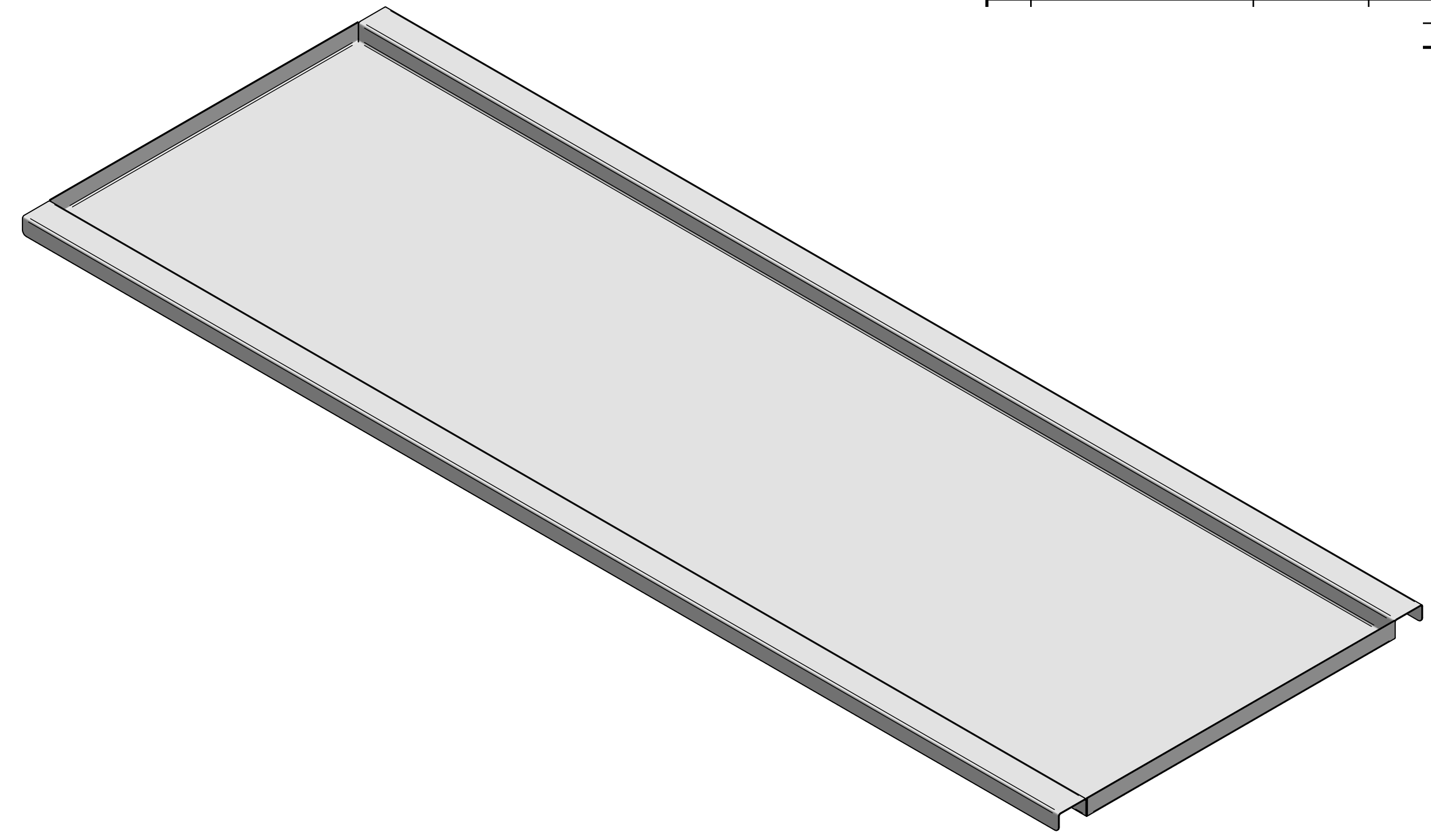
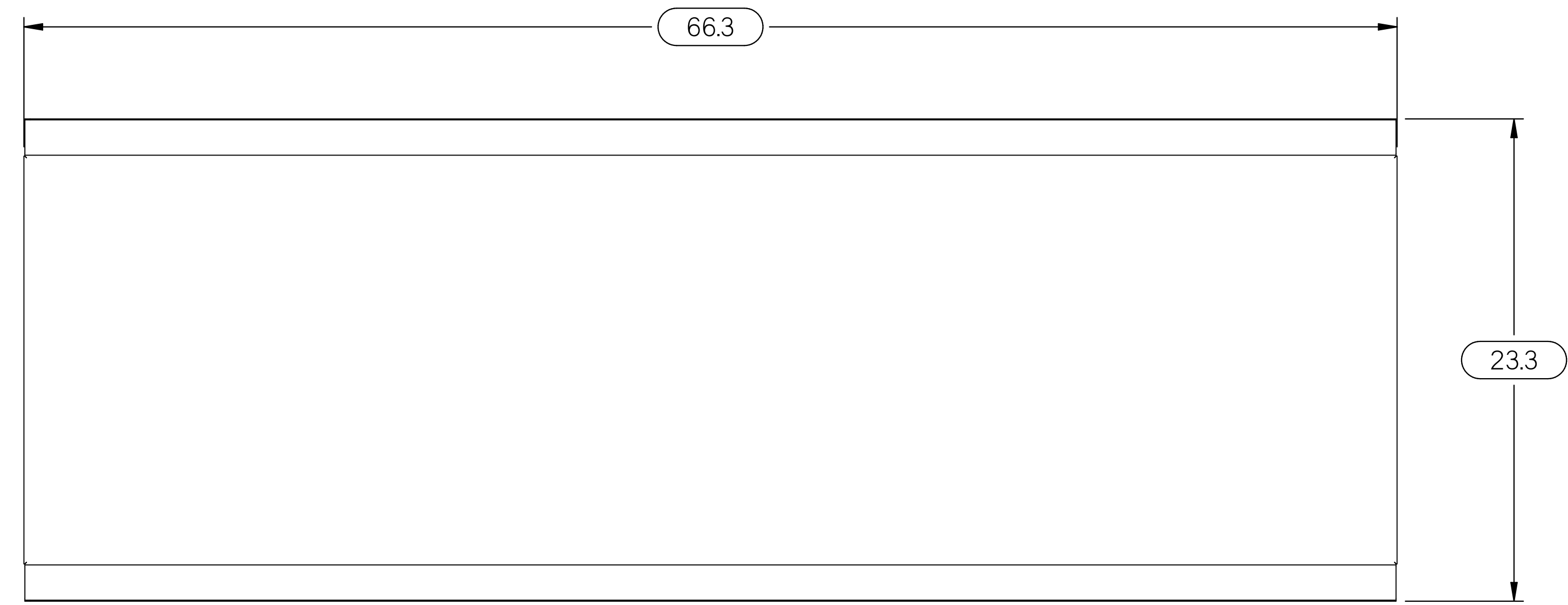


REV	DESCRIPTION	DATE	ECN #	APPR
A	INITIAL RELEASE	00-XXX-19	XXXXX	MM



THIS DOCUMENT CONTAINS PROPRIETARY INFORMATION OF MOPEC, AND MAY NOT BE COPIED IN WHOLE OR PART, AND NO USE SHALL BE MADE OF IT OTHER THAN FOR WHICH IT HAS BEEN SUBMITTED WITHOUT THE WRITTEN PERMISSION OF A MOPEC MANAGER MOPEC 2024	UNLESS OTHERWISE SPECIFIED ALL DIMENSIONS IN INCHES TOLERANCES 0.0 ± 0.1 in 0.00 ± 0.05 in 0.000 ± 0.010 in 0.0000 ± 0.0010 in ANGLES ± 0.5° BREAK ALL CORNERS 0.063 X 45° ALL FILLET RADII R0.063 (0.125in) INSPECT OVAL DIMENSIONS	MATERIAL: Error: No reference MATERIAL USAGE: Error: No reference FINISH: Error: No reference	 DRAWN TO 3RD ANGLE PROJECTION	DRAWN BY: jbourbeau DATE: 7/10/2020 CHECKED BY: DATE: --- APPROVED BY: MMcCLAIN DATE: 7/10/2020	PART NUMBER: H0032 DESCRIPTION: DISSECTION TABLE SHORT SHELF SIZE: A2 FILE NAME: H0032.dft SCALE: 1:1 DO NOT SCALE IF IN DOUBT ASK	REV: A SHEET 1 OF 2
	UNLESS OTHERWISE SPECIFIED ALL DIMENSIONS IN INCHES TOLERANCES 0.0 ± 0.1 in 0.00 ± 0.05 in 0.000 ± 0.010 in 0.0000 ± 0.0010 in ANGLES ± 0.5° BREAK ALL CORNERS 0.063 X 45° ALL FILLET RADII R0.063 (0.125in) INSPECT OVAL DIMENSIONS		DRAWN TO 3RD ANGLE PROJECTION	APPROVED BY: MMcCLAIN DATE: 7/10/2020	SHEET 1 OF 2	

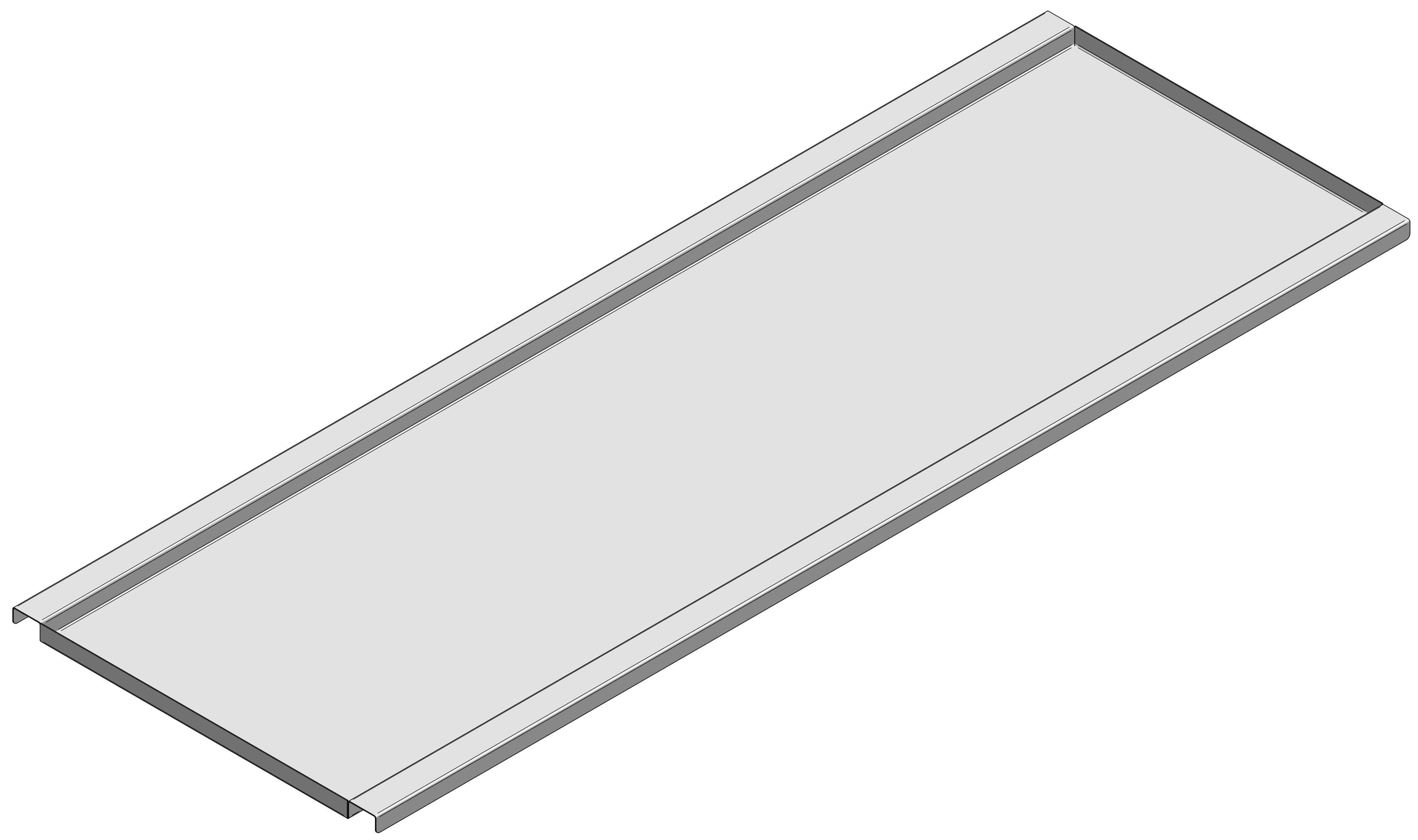
H0032.dft

I 2 3 4 5 6 7 8 9 10 11

REV	DESCRIPTION	DATE	ECN #	APPR
A	INITIAL RELEASE	00-XXX-19	XXXX	MM

A
B
C
D
E
F
G
H

A
B
C
D
E
F
G
H



Item Number	Quantity	File Name	Title	Material	Revision
I	1	S6396-Apsm	RECESSED SHELF	18 GA. TYPE T304 SS	A

THIS DOCUMENT CONTAINS PROPRIETARY INFORMATION OF MOPEC, AND MAY NOT BE COPIED IN WHOLE OR PART, AND NO USE SHALL BE MADE OF IT OTHER THAN FOR WHICH IT HAS BEEN SUBMITTED WITHOUT THE WRITTEN PERMISSION OF A MOPEC MANAGER MOPEC 2024	UNLESS OTHERWISE SPECIFIED ALL DIMENSIONS IN INCHES TOLERANCES 0.0 ± 0.1 in 0.00 ± 0.05 in 0.000 ± 0.010 in 0.0000 ± 0.0010 in ANGLES ±0.5° BREAK ALL CORNERS 0.063 X 45° ALL FILLET RADII R0.063 (0.125in) INSPECT OVAL DIMENSIONS	MATERIAL	DRAWN BY: jbourbeau DATE: 7/10/2020 CHECKED BY: DATE: --- 7/10/2020 APPROVED BY: DATE: MMcCLAIN 7/10/2020	PART NUMBER: H0032
		MATERIAL USAGE		DESCRIPTION: DISSECTION TABLE SHORT SHELF SIZE: A2 FILE NAME: H0032.dft SCALE: 2:1
DRAWN TO 3RD ANGLE PROJECTION		Error: No reference Error: No reference		SHEET 2 OF 2 DO NOT SCALE IF IN DOUBT ASK

I 2 3 4 5 6 7 8 9 10 11

H0032.dft