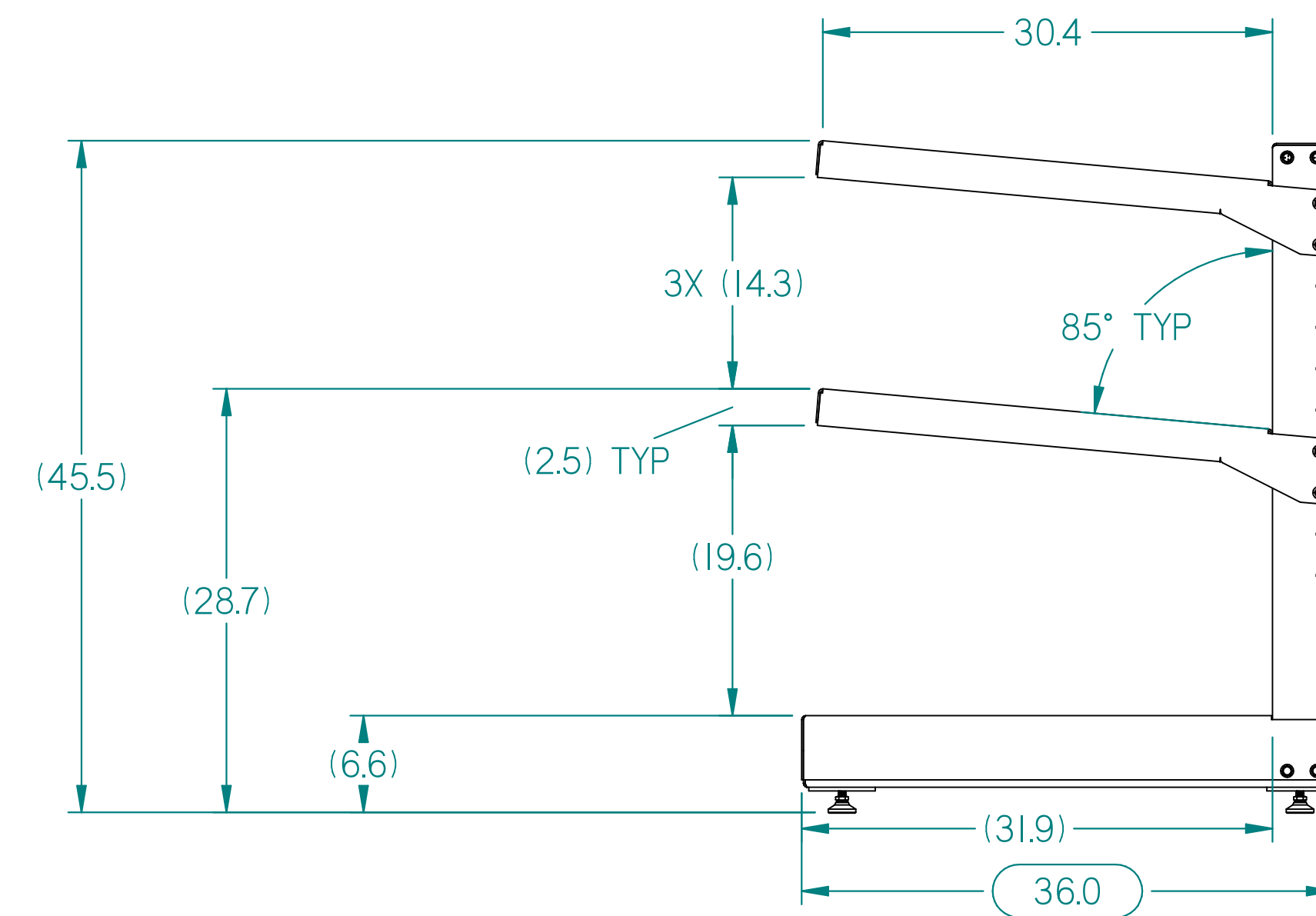
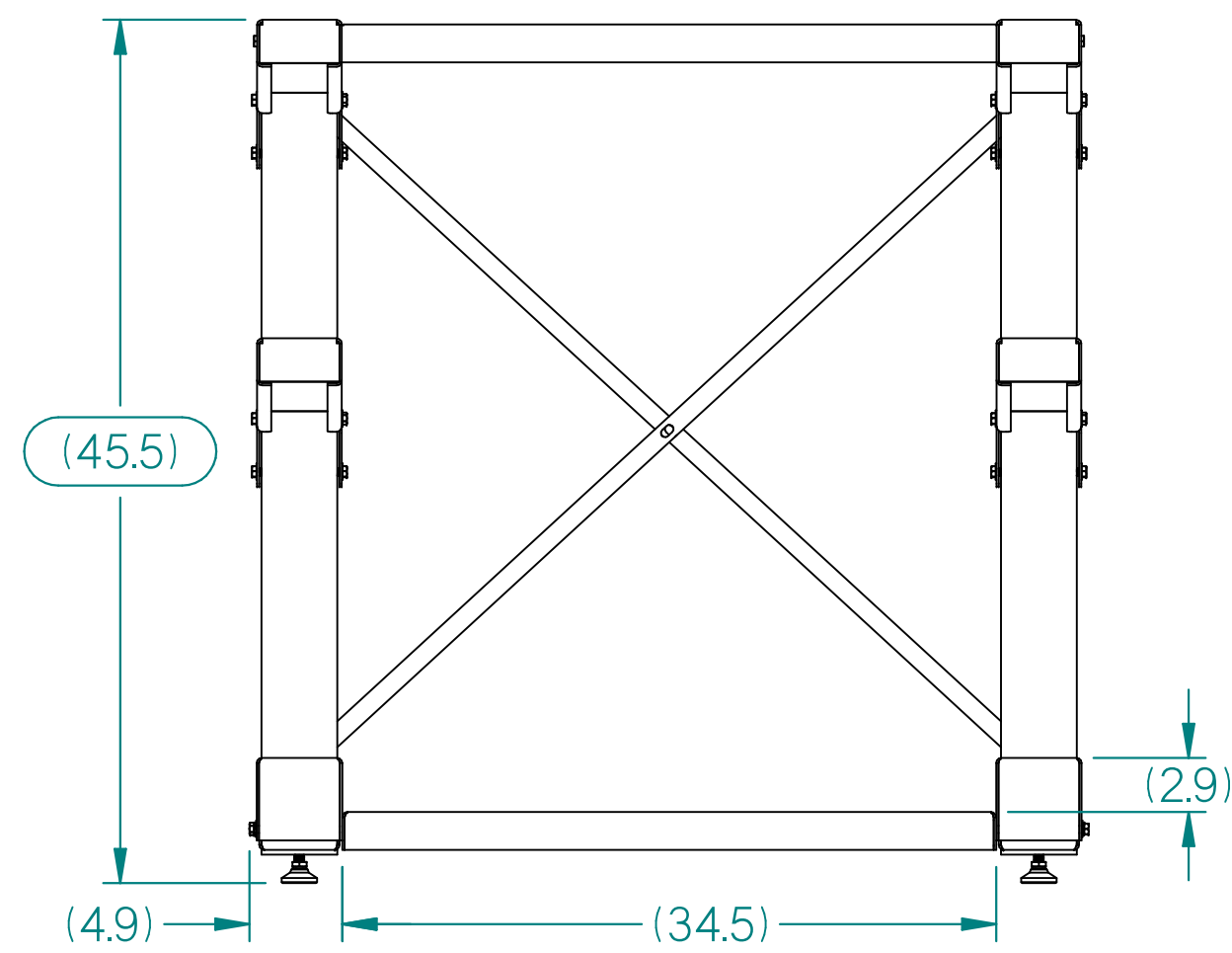
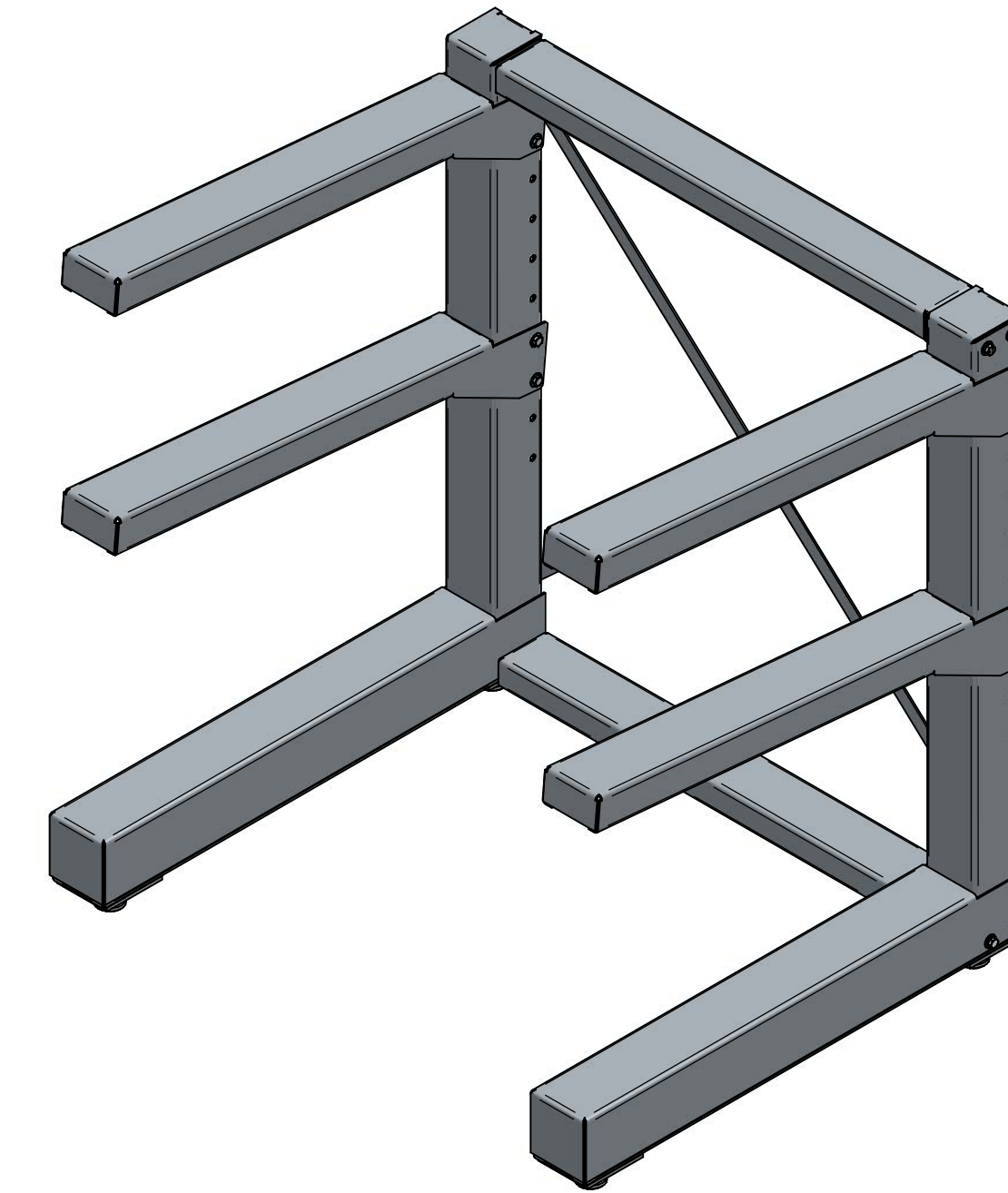
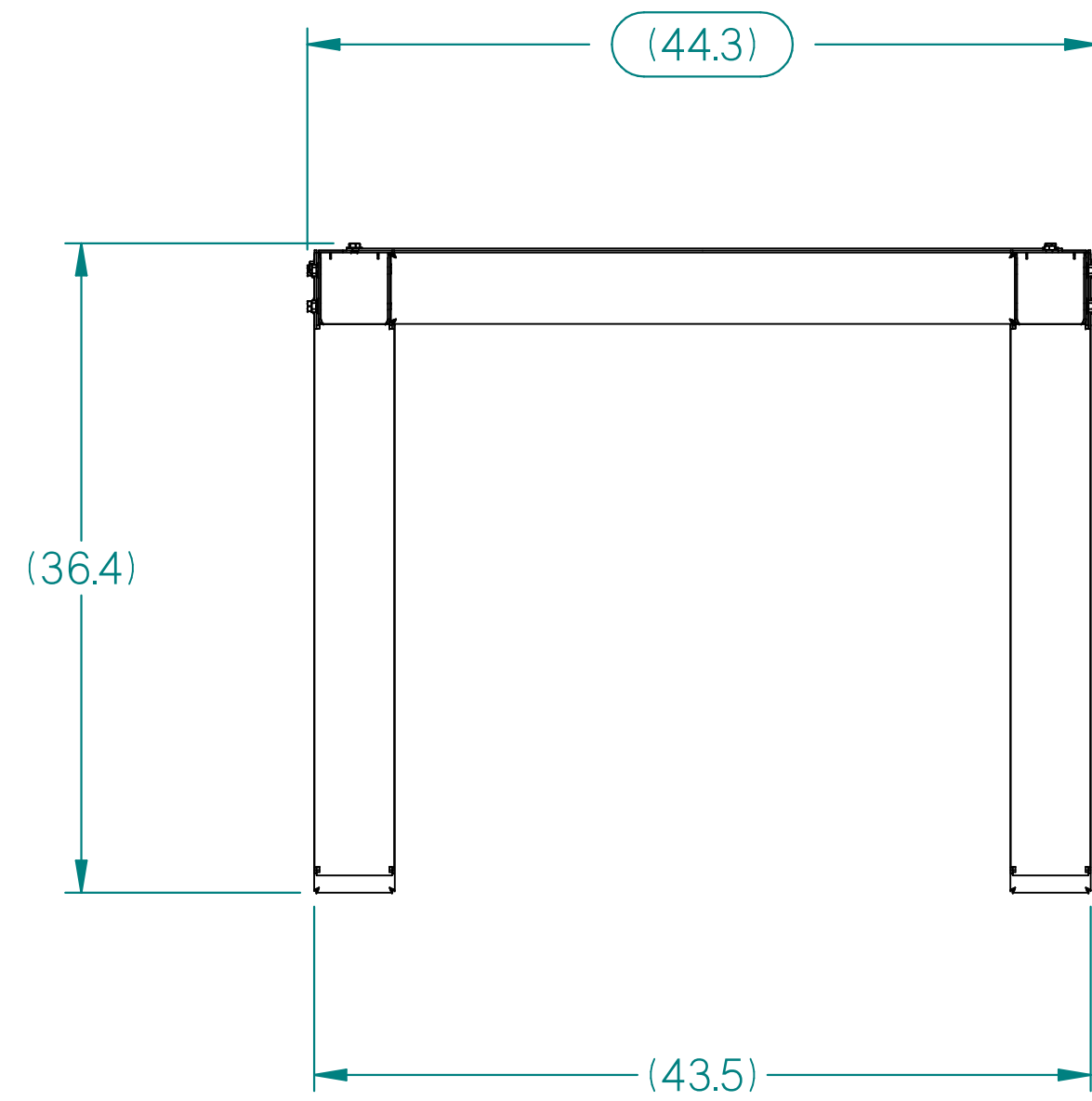


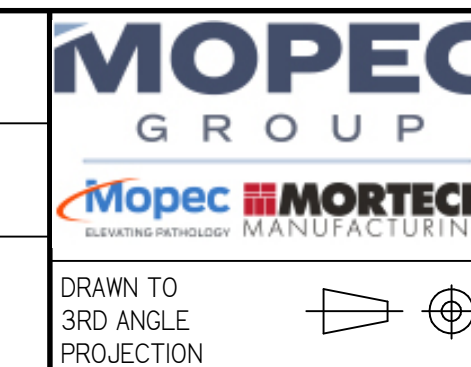
REV	DESCRIPTION	DATE	ECN #	APPR
A	INITIAL RELEASE	00-XXX-19	XXXXX	MM
B	NEW FEET	8/5/20	1014	MM



MOPEC LEGAL NOTE
 THIS DOCUMENT CONTAINS
 PROPRIETARY INFORMATION OF
 MOPEC, AND MAY NOT BE COPIED IN WHOLE
 OR PART, AND NO USE SHALL BE MADE OF
 IT OTHER THAN FOR WHICH IT HAS BEEN
 SUBMITTED WITHOUT THE WRITTEN
 PERMISSION OF A MOPEC MANAGER
 MOPEC 2024

UNLESS OTHERWISE SPECIFIED
 ALL DIMENSIONS IN INCHES
 TOLERANCES 0.0 ± 0.1 in
 0.00 ± 0.05 in
 0.000 ± 0.010 in
 0.0000 ± 0.0010 in
 ANGLES ± 0.5°
 BREAK ALL CORNERS 0.063 X 45°
 ALL FILLET RADII R0.063 / 0.125 in
 INSPECT OVAL DIMENSIONS

MATERIAL

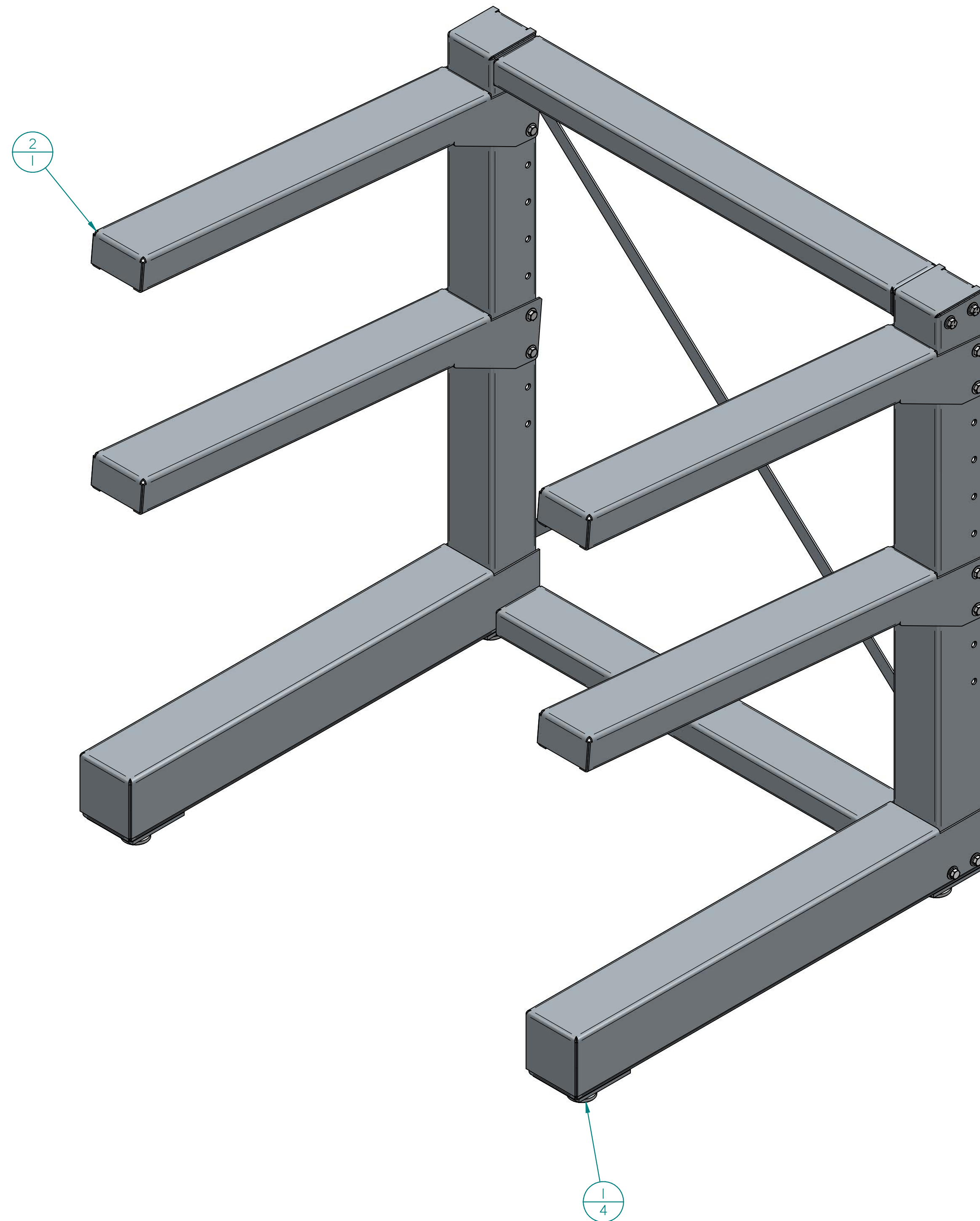


DRAWN BY B. LAY
 DATE 8/31/2020
 CHECKED BY
 DATE 8/31/2020
 APPROVED BY M. McCLAIN
 DATE 8/31/2020

PART NUMBER IA32 301
 DESCRIPTION 32 X 3 CANTILEVER RACK - STATIONARY
 SIZE A2 FILE NAME IA32 301.dft
 SCALE 1:10
 DO NOT SCALE IF IN DOUBT ASK
 SHEET 1 OF 2

IA32 301.dft

REV	DESCRIPTION	DATE	ECN #	APPR
A	INITIAL RELEASE	00-XXX-19	XXXXX	MM
B	NEW FEET	8/5/20	1014	MM

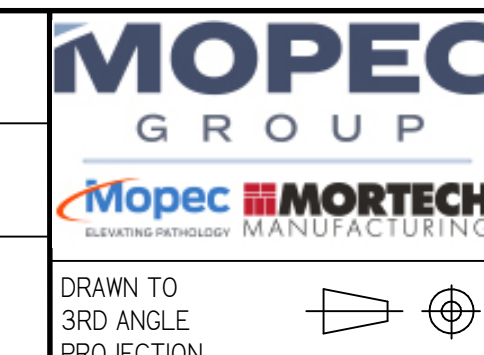


Item Number	Quantity	File Name	Title	Material	Revision
1	4	PM0727.par	PM0727 1/2"-13 LEVELING FOOT ASSY		A
2	1	S5418-B.asm	32 X 3 CANTILEVER RACK		B

MOPEC LEGAL NOTE
 THIS DOCUMENT CONTAINS PROPRIETARY INFORMATION OF MOPEC, AND MAY NOT BE COPIED IN WHOLE OR PART, AND NO USE SHALL BE MADE OF IT OTHER THAN FOR WHICH IT HAS BEEN SUBMITTED WITHOUT THE WRITTEN PERMISSION OF A MOPEC MANAGER
 MOPEC 2024

UNLESS OTHERWISE SPECIFIED ALL DIMENSIONS IN INCHES
 TOLERANCES
 0.0 ± 0.1 in
 0.00 ± 0.05 in
 0.000 ± 0.010 in
 0.0000 ± 0.0010 in
 ANGLES ±0.5°
 BREAK ALL CORNERS 0.063 X 45°
 ALL FILLET RADII R0.063 /0.125in
 INSPECT OVAL DIMENSIONS

MATERIAL



DRAWN BY: B. LAY
 DATE: 8/31/2020
 CHECKED BY:
 DATE: 8/31/2020
 APPROVED BY: M. McCLAIN
 DATE: 8/31/2020

PART NUMBER	IA32 301	
DESCRIPTION	32 X 3 CANTILEVER RACK - STATIONARY	
SIZE	A2	FILE NAME: IA32 301.dft
SCALE	1:1	DO NOT SCALE IF IN DOUBT ASK
		SHEET 2 OF 2

IA32 301.dft