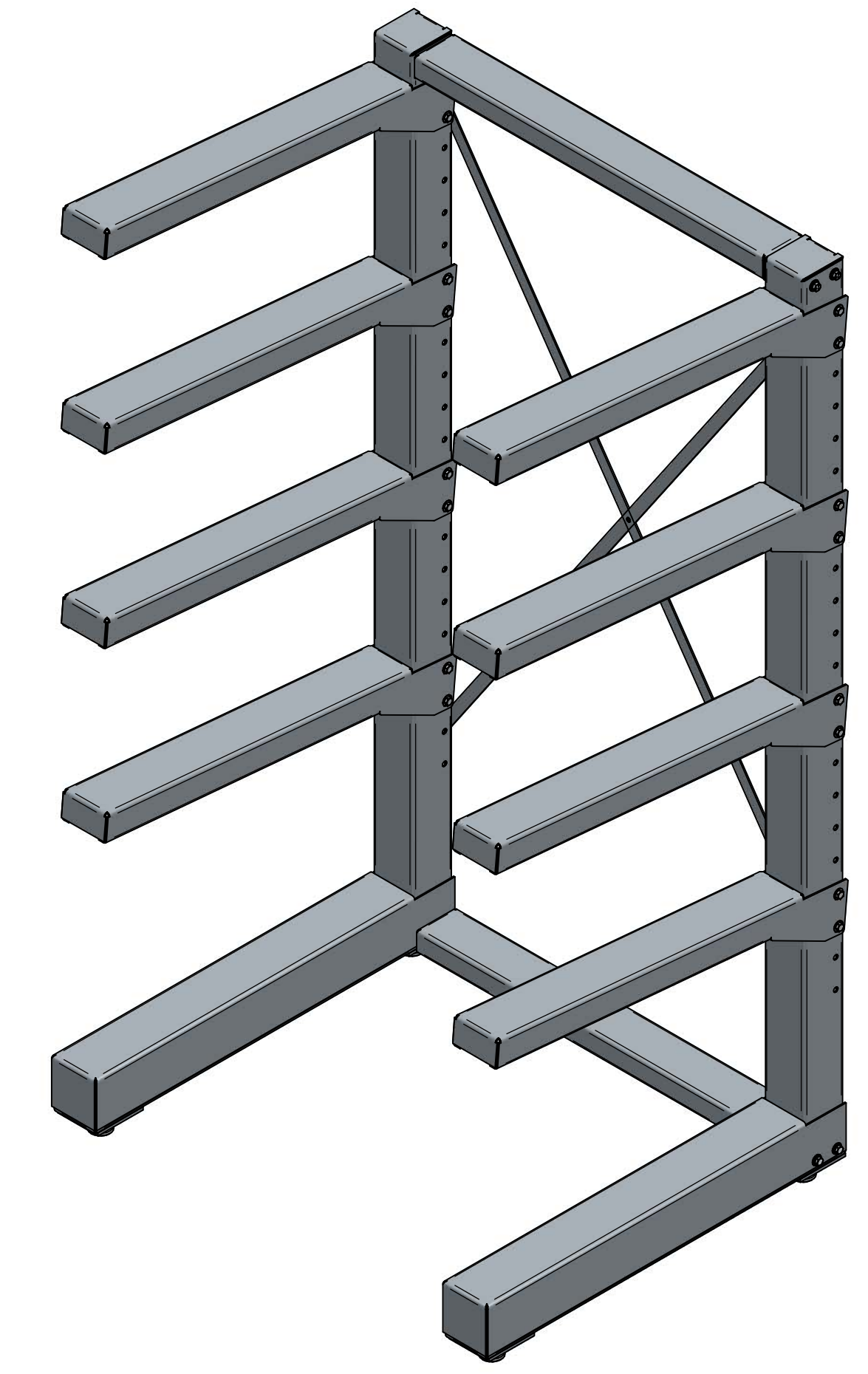
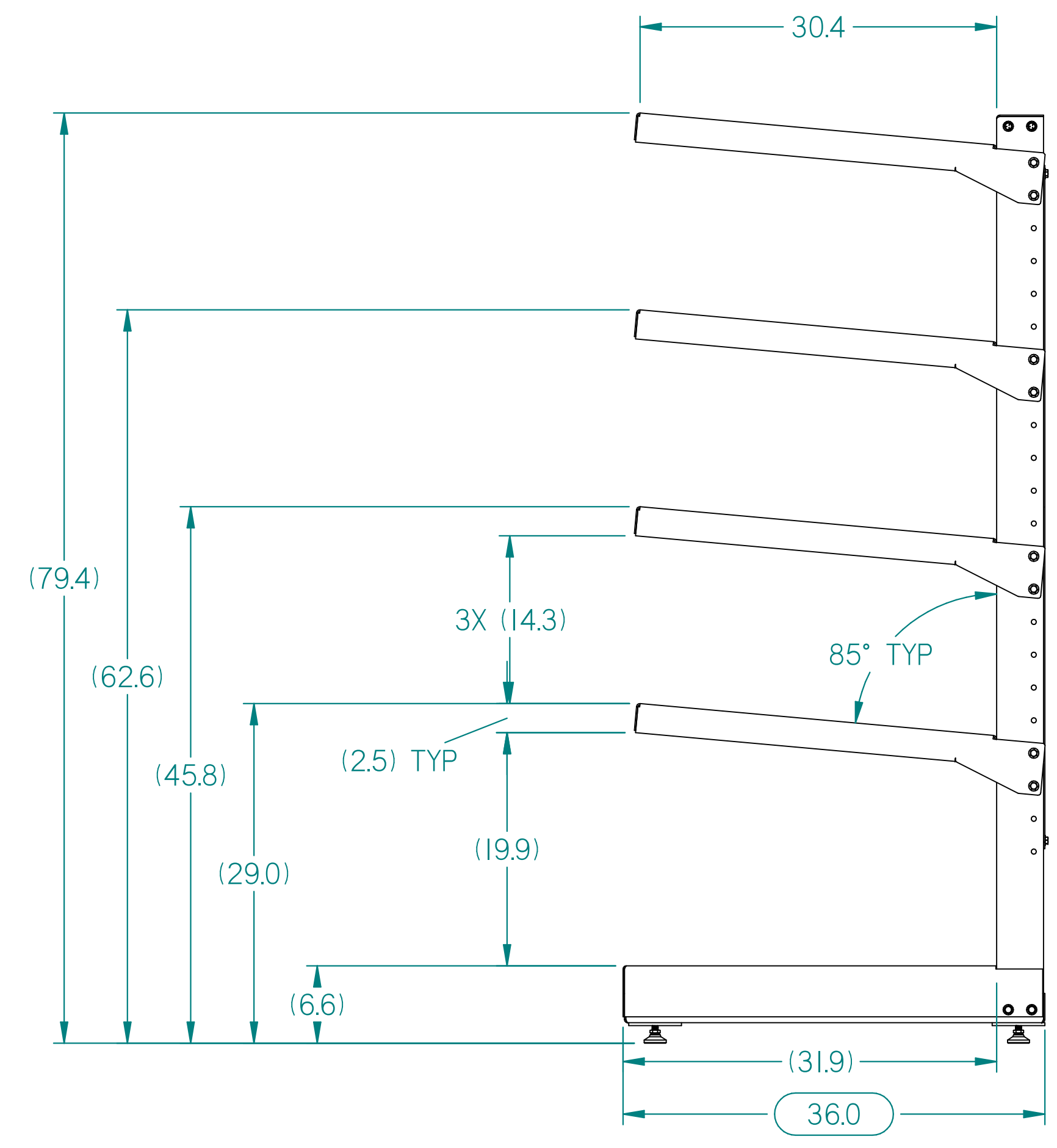
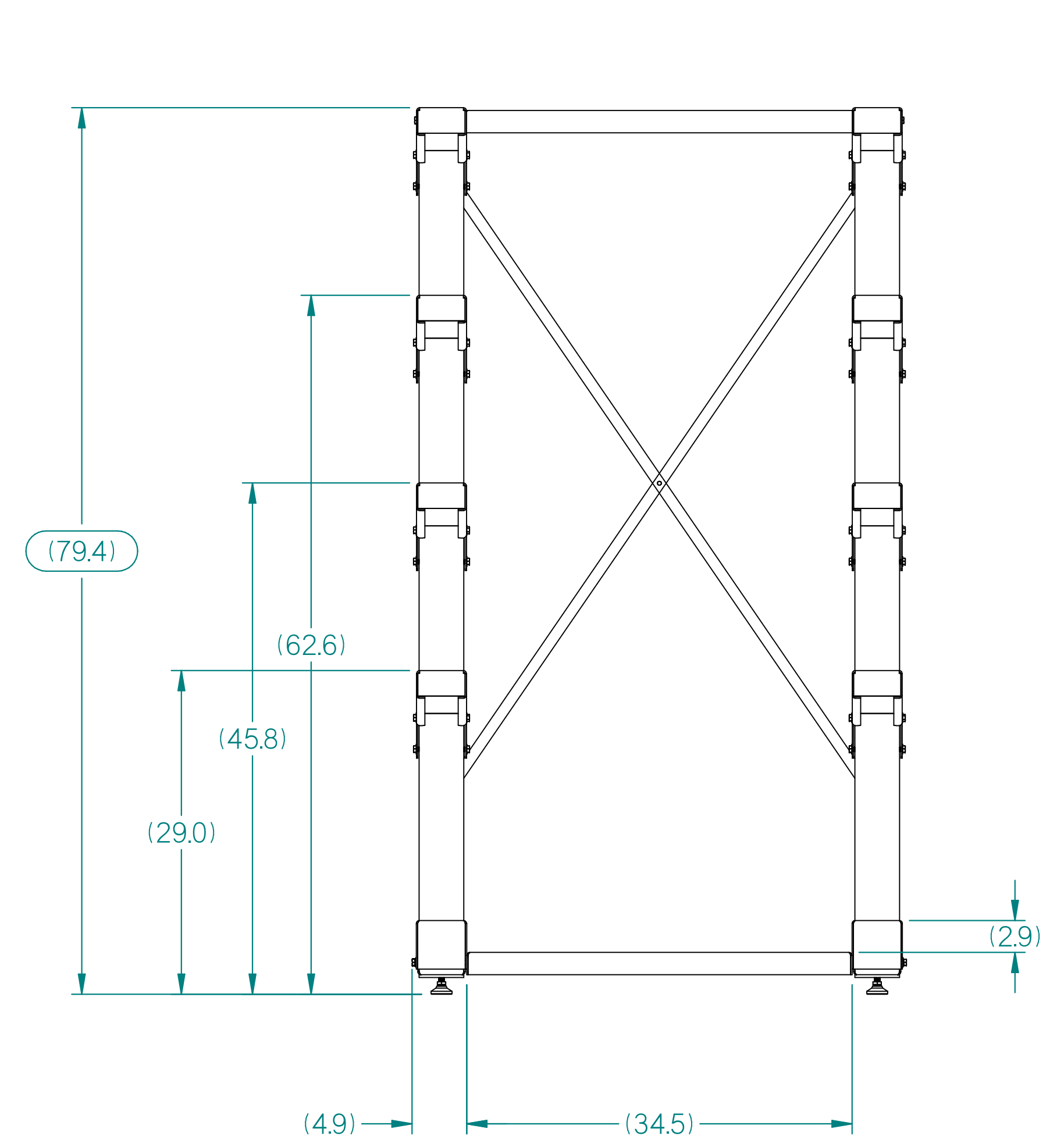
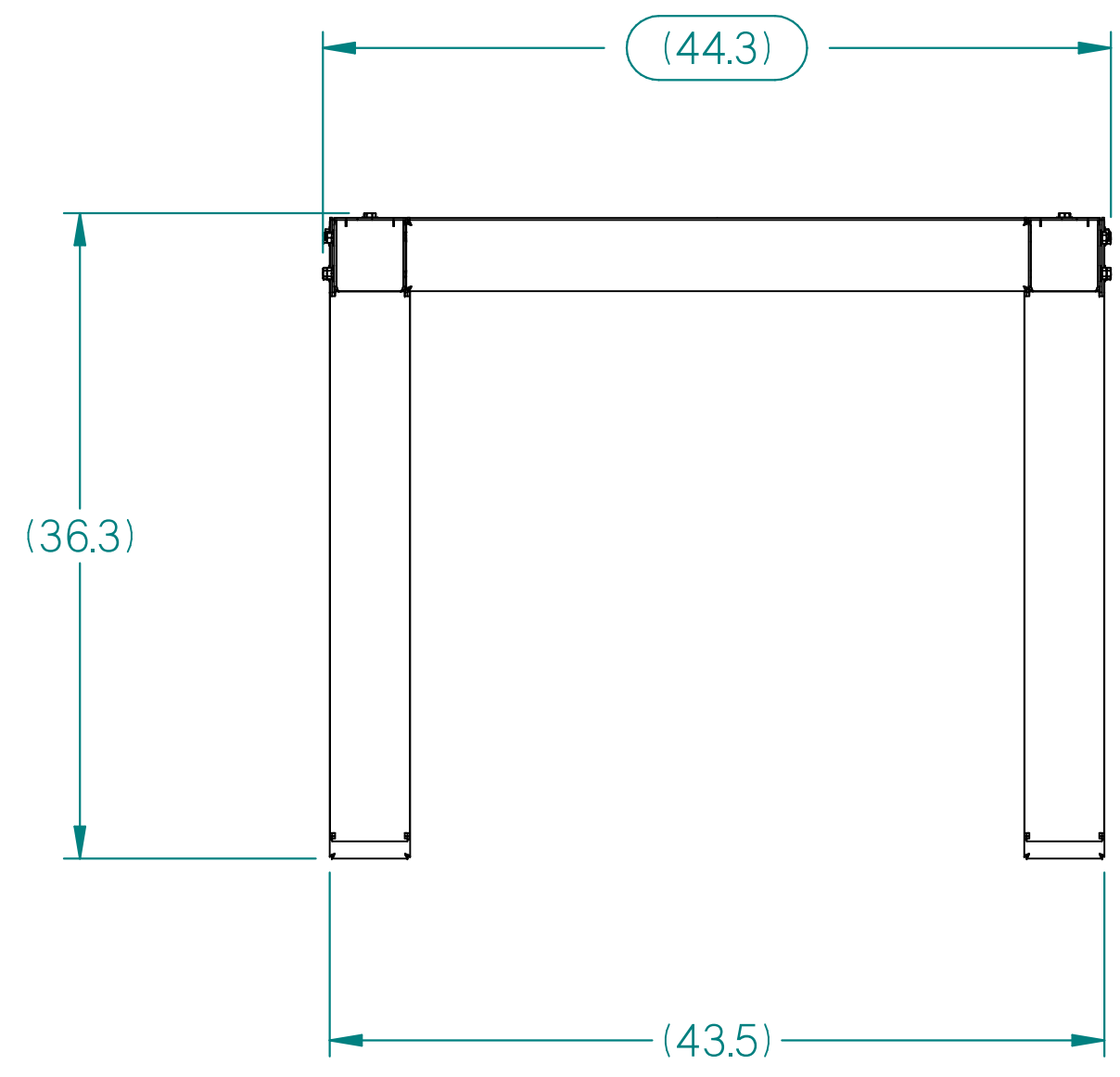


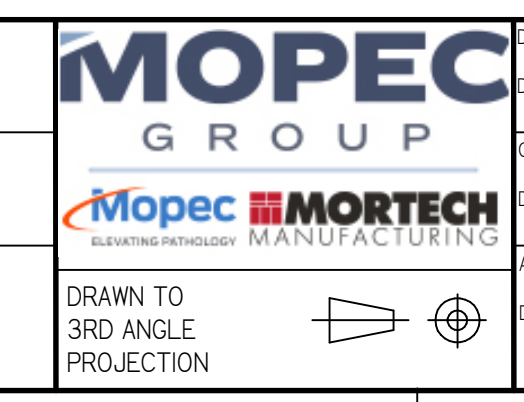
REV	DESCRIPTION	DATE	ECN #	APPR
A	INITIAL RELEASE	00-XXX-19	XXXXX	MM
B	NEW FEET	8/5/20	1014	MM



MOPEC LEGAL NOTE
 THIS DOCUMENT CONTAINS PROPRIETARY INFORMATION OF MOPEC, AND MAY NOT BE COPIED IN WHOLE OR PART, AND NO USE SHALL BE MADE OF IT OTHER THAN FOR WHICH IT HAS BEEN SUBMITTED WITHOUT THE WRITTEN PERMISSION OF A MOPEC MANAGER
 MOPEC 2024

UNLESS OTHERWISE SPECIFIED ALL DIMENSIONS IN INCHES
 TOLERANCES
 0.0 ± 0.1 in
 0.00 ± 0.05 in
 0.000 ± 0.010 in
 0.0000 ± 0.0010 in
 ANGLES ± 0.5°
 BREAK ALL CORNERS 0.063 X 45°
 ALL FILLET RADII R0.063 / 0.125 in
 INSPECT OVAL DIMENSIONS

MATERIAL

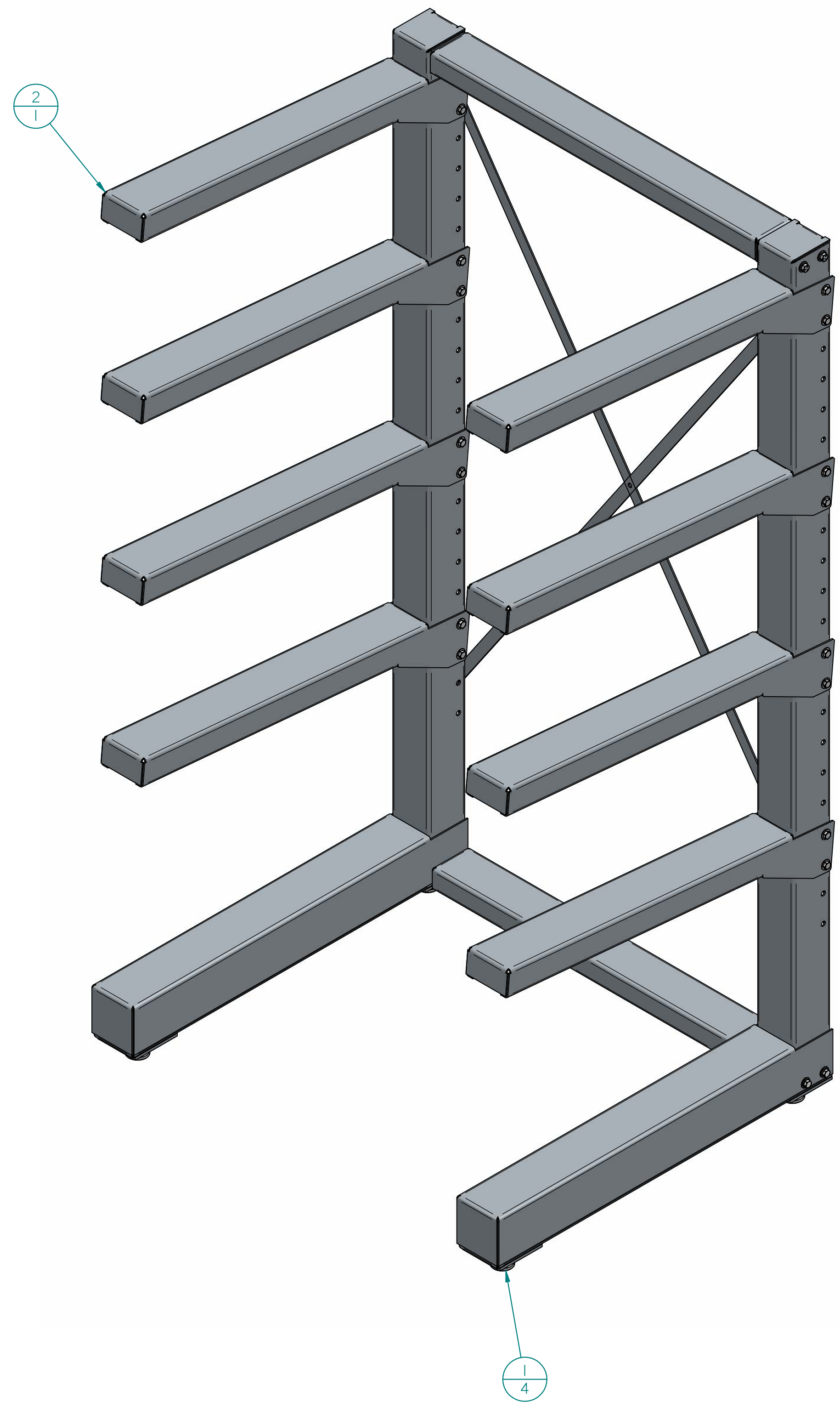


DRAWN BY: B. LAY
 DATE: 8/31/2020
 CHECKED BY: ---
 DATE: 8/31/2020
 APPROVED BY: M. McCLAIN
 DATE: 8/31/2020

PART NUMBER: IA32 501
 DESCRIPTION: 32 X 5 CANTILEVER RACK - STATIONARY
 SIZE: A2
 FILE NAME: IA32 501.dft
 SCALE: 1:10
 DO NOT SCALE IF IN DOUBT ASK
 SHEET 1 OF 2

IA32 501.dft

REV	DESCRIPTION	DATE	ECN #	APPR
A	INITIAL RELEASE	00-XXX-19	XXXXX	MM
B	NEW FEET	8/5/20	1014	MM



Item Number	Quantity	File Name	Title	Material	Revision
1	4	PM0727.par	PM0727 1/2"-13 LEVELING FOOT ASSY		A
2	1	S5981-Aasm	32 X 5 CANTILEVER RACK		A

MOPEC LEGAL NOTE THIS DOCUMENT CONTAINS PROPRIETARY INFORMATION OF MOPEC, AND MAY NOT BE COPIED IN WHOLE OR PART, AND NO USE SHALL BE MADE OF IT OTHER THAN FOR WHICH IT HAS BEEN SUBMITTED WITHOUT THE WRITTEN PERMISSION OF A MOPEC MANAGER MOPEC 2024	UNLESS OTHERWISE SPECIFIED ALL DIMENSIONS IN INCHES TOLERANCES 0.0 ± 0.1 in 0.00 ± 0.05 in 0.000 ± 0.010 in 0.0000 ± 0.0010 in ANGLES ±0.5° BREAK ALL CORNERS 0.063 X 45° ALL FILLET RADII R0.063 /0.125in INSPECT OVAL DIMENSIONS	MATERIAL 	 DRAWN TO 3RD ANGLE PROJECTION	DRAWN BY: B.LAY DATE: 8/31/2020	PART NUMBER: IA32 501
				CHECKED BY: DATE: 8/31/2020	DESCRIPTION: 32 X 5 CANTILEVER RACK - STATIONARY
APPROVED BY: M.McCLAIN DATE: 8/31/2020				SIZE: A2 FILE NAME: IA32 501.dft	REV:
SCALE: 1:1				DO NOT SCALE IF IN DOUBT ASK	SHEET 2 OF 2

IA32 501.dft