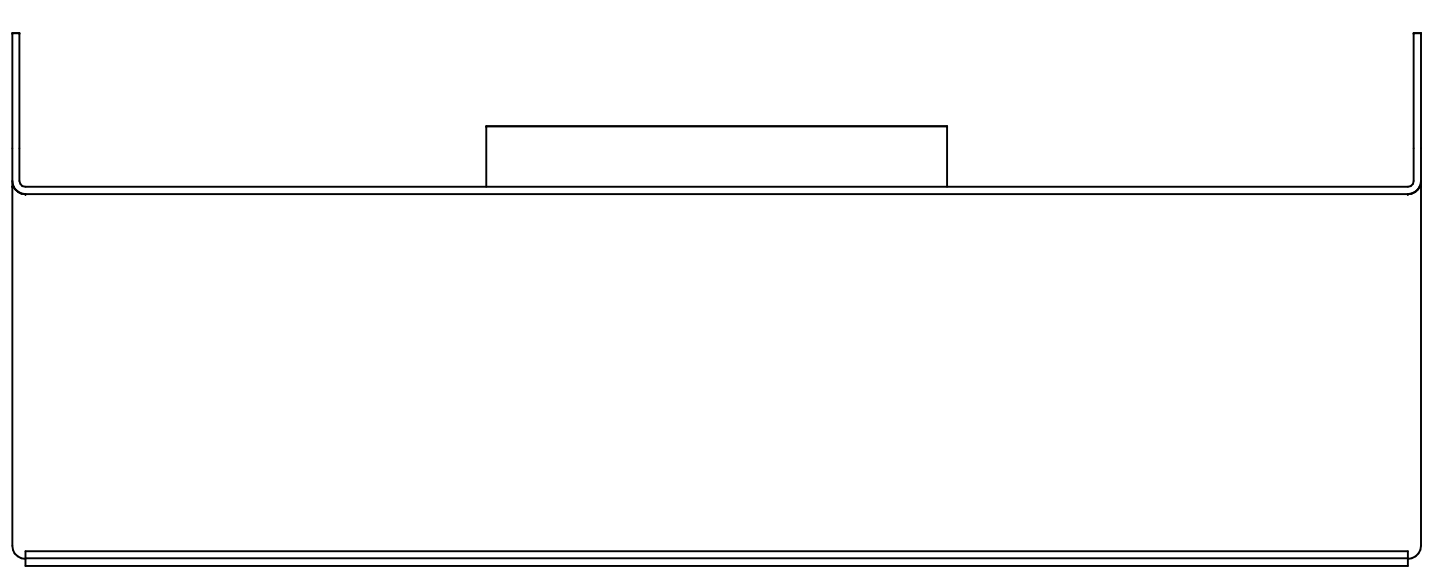
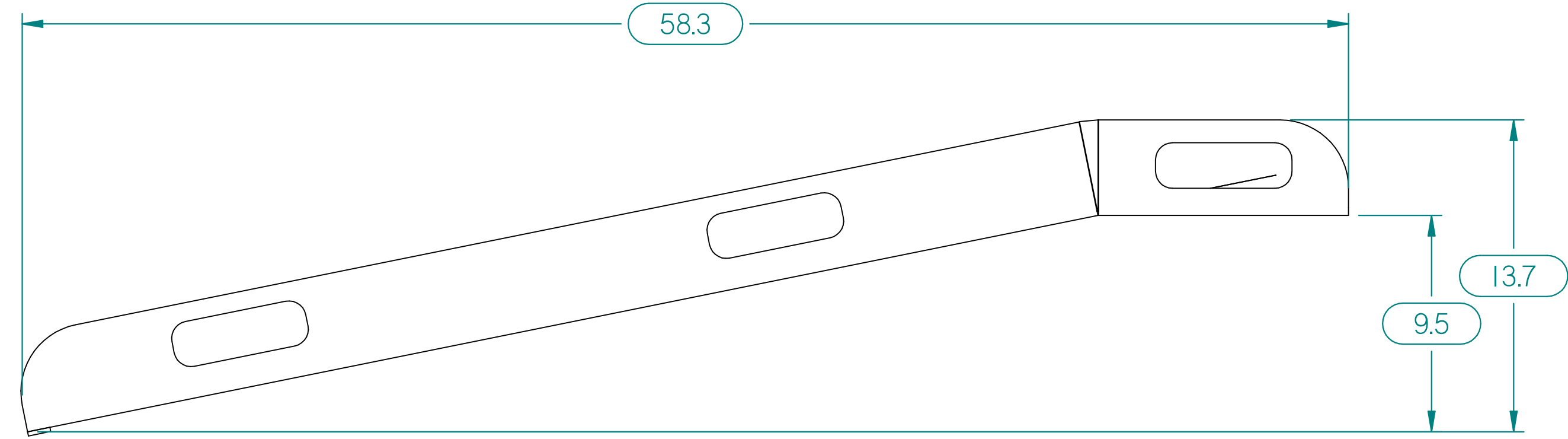
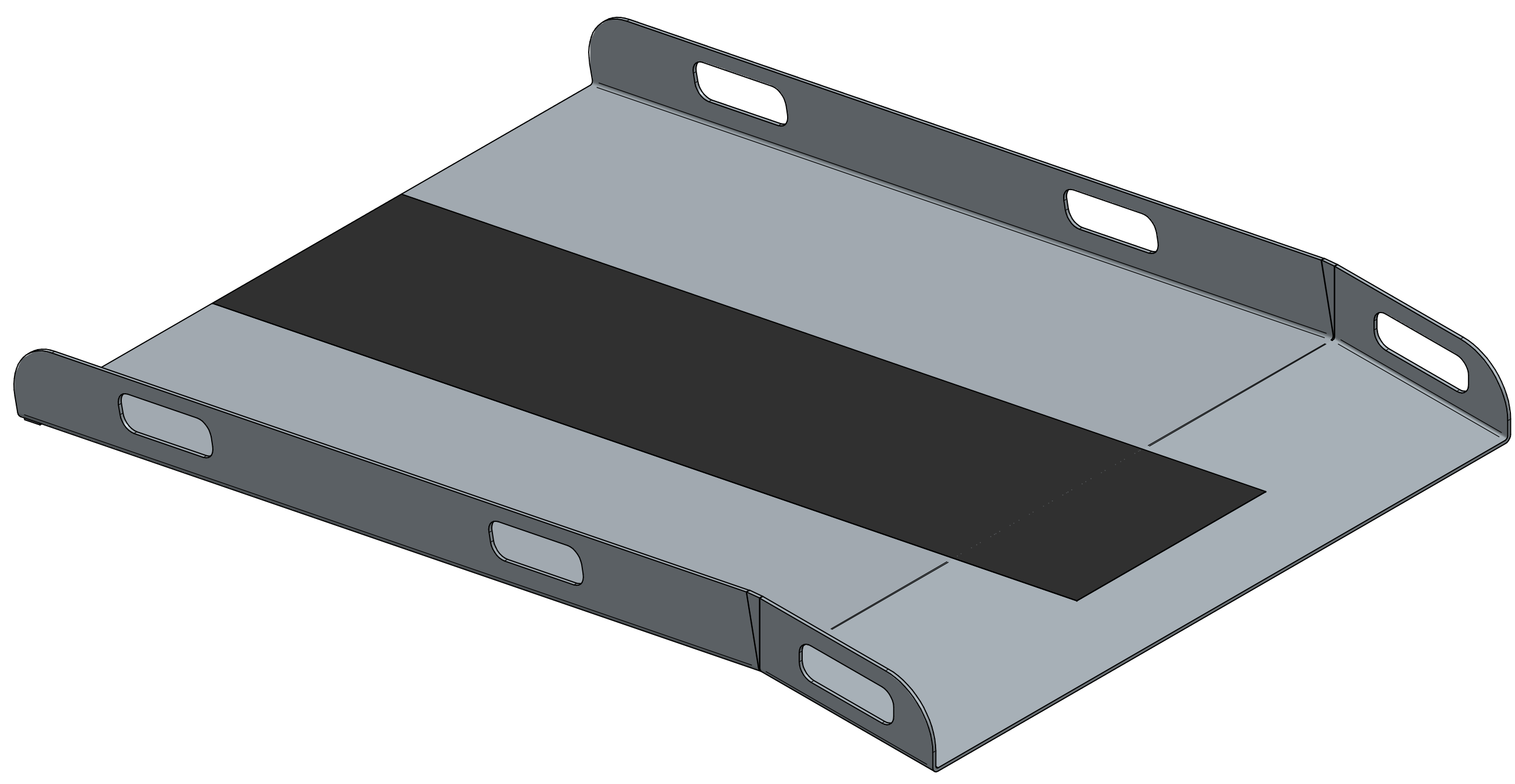
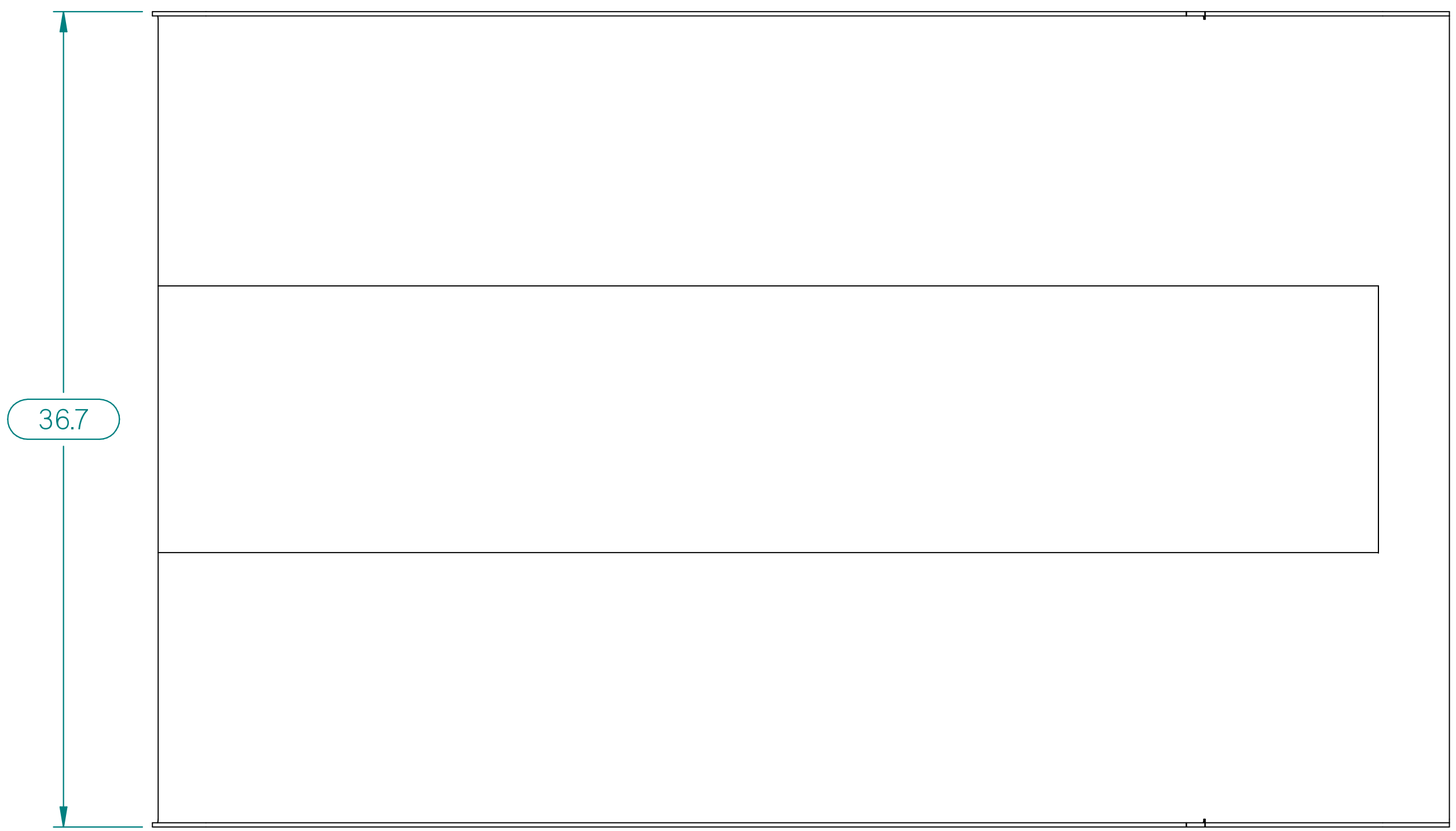


REV	DESCRIPTION	DATE	ECN #	APPR
A	INITIAL RELEASE	00-XXX-19	XXXXX	MM



<p>MOPEC LEGAL NOTE</p> <p>THIS DOCUMENT CONTAINS PROPRIETARY INFORMATION OF MOPEC, AND MAY NOT BE COPIED IN WHOLE OR PART, AND NO USE SHALL BE MADE OF IT OTHER THAN FOR WHICH IT HAS BEEN SUBMITTED WITHOUT THE WRITTEN PERMISSION OF A MOPEC MANAGER</p> <p>MOPEC 2024</p>	<p>UNLESS OTHERWISE SPECIFIED ALL DIMENSIONS IN INCHES</p> <p>TOLERANCES</p> <table> <tr> <td>0.0</td> <td>± 0.1 in</td> </tr> <tr> <td>0.00</td> <td>± 0.05 in</td> </tr> <tr> <td>0.000</td> <td>± 0.010 in</td> </tr> <tr> <td>0.0000</td> <td>± 0.0010 in</td> </tr> </table> <p>ANGLES ±0.5°</p> <p>BREAK ALL CORNERS 0.063 X 45°</p> <p>ALL FILLET RADII R0.063 (0.125in)</p> <p>INSPECT OVAL DIMENSIONS</p>	0.0	± 0.1 in	0.00	± 0.05 in	0.000	± 0.010 in	0.0000	± 0.0010 in	<p>MATERIAL</p>	<p>MOPEC GROUP</p> <p>Mopec MORTECH</p> <p>MANUFACTURING</p>	<p>DRAWN BY: jjohnson</p> <p>DATE: 1/22/2021</p>	<p>PART NUMBER: IR0002</p>
		0.0	± 0.1 in										
0.00	± 0.05 in												
0.000	± 0.010 in												
0.0000	± 0.0010 in												
<p>CHECKED BY:</p> <p>DATE: 1/22/2021</p>	<p>DESCRIPTION: IR RAMP</p>												
<p>DRAWN TO: 3RD ANGLE PROJECTION</p>	<p>APPROVED BY: MMcCLAIN</p> <p>DATE: 1/22/2021</p>	<p>SIZE: A2</p> <p>SCALE: 1:5</p>	<p>FILE NAME: IR0002.dft</p>	<p>DO NOT SCALE IF IN DOUBT ASK</p>	<p>REV: A</p> <p>SHEET 1 OF 2</p>								

IR0002.dft