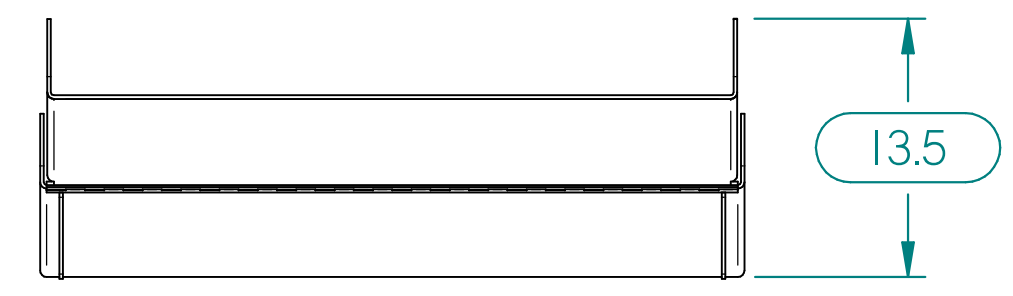
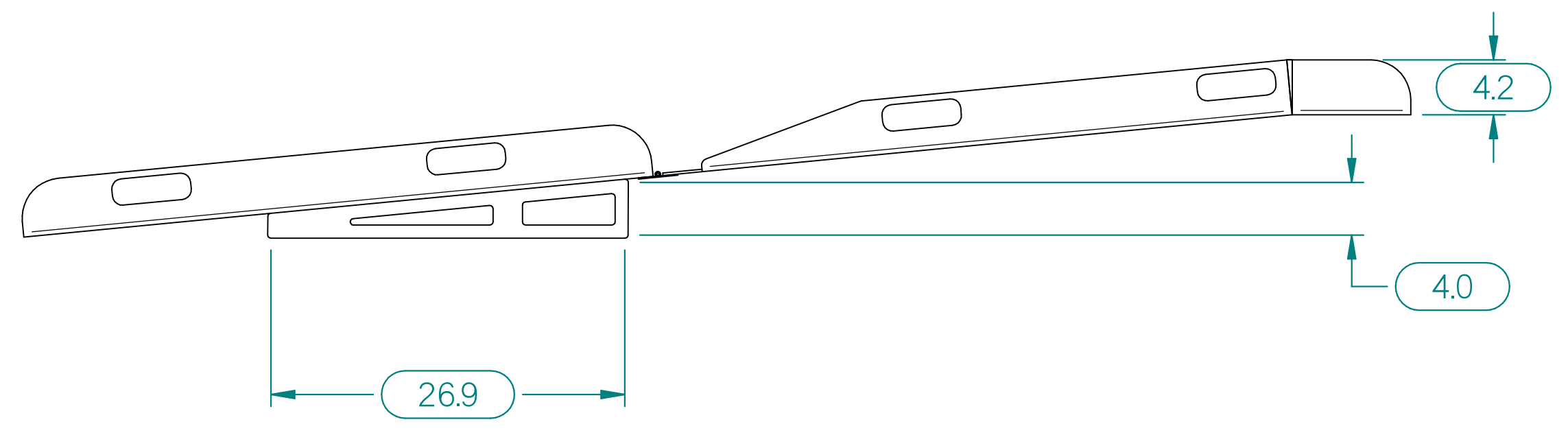
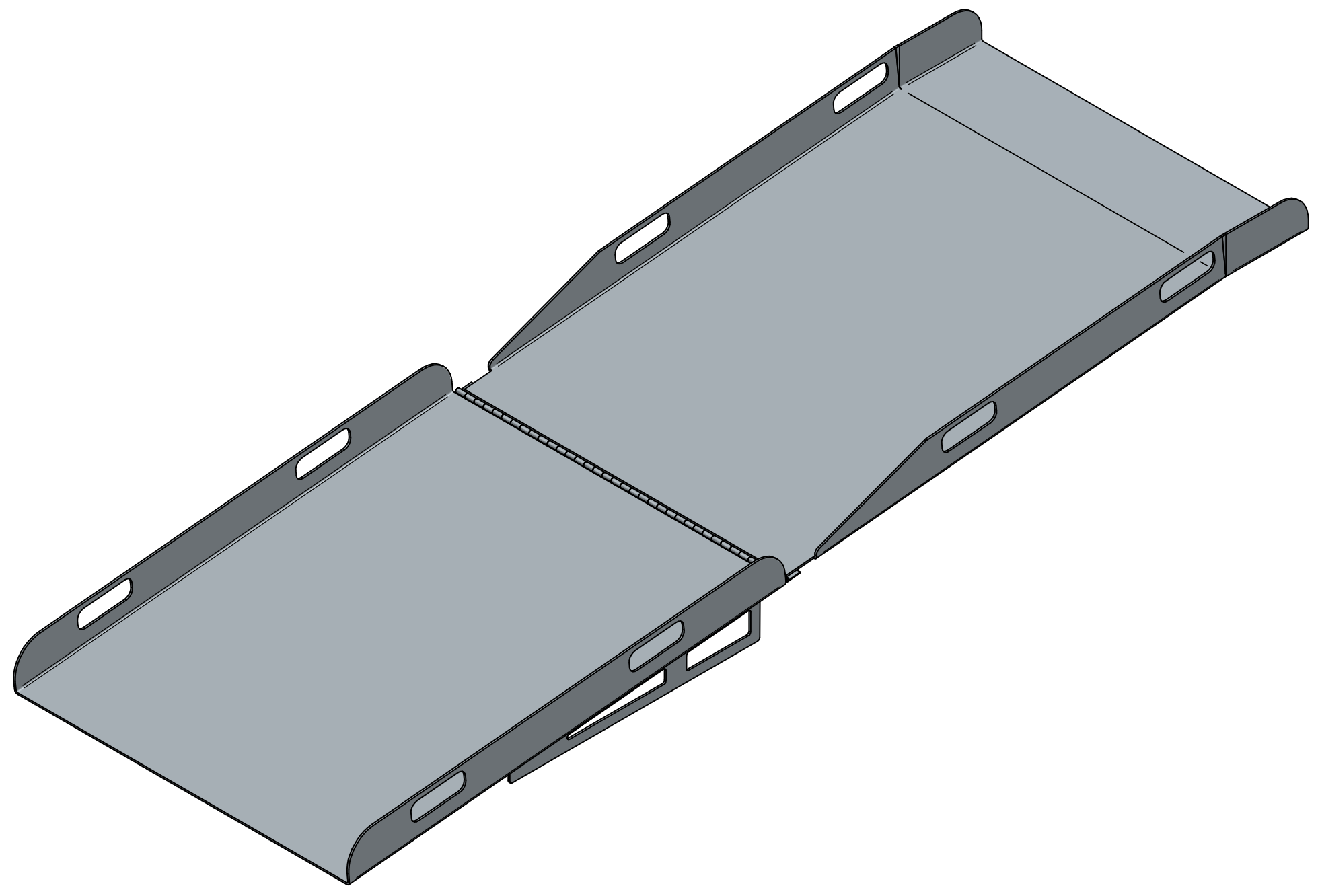
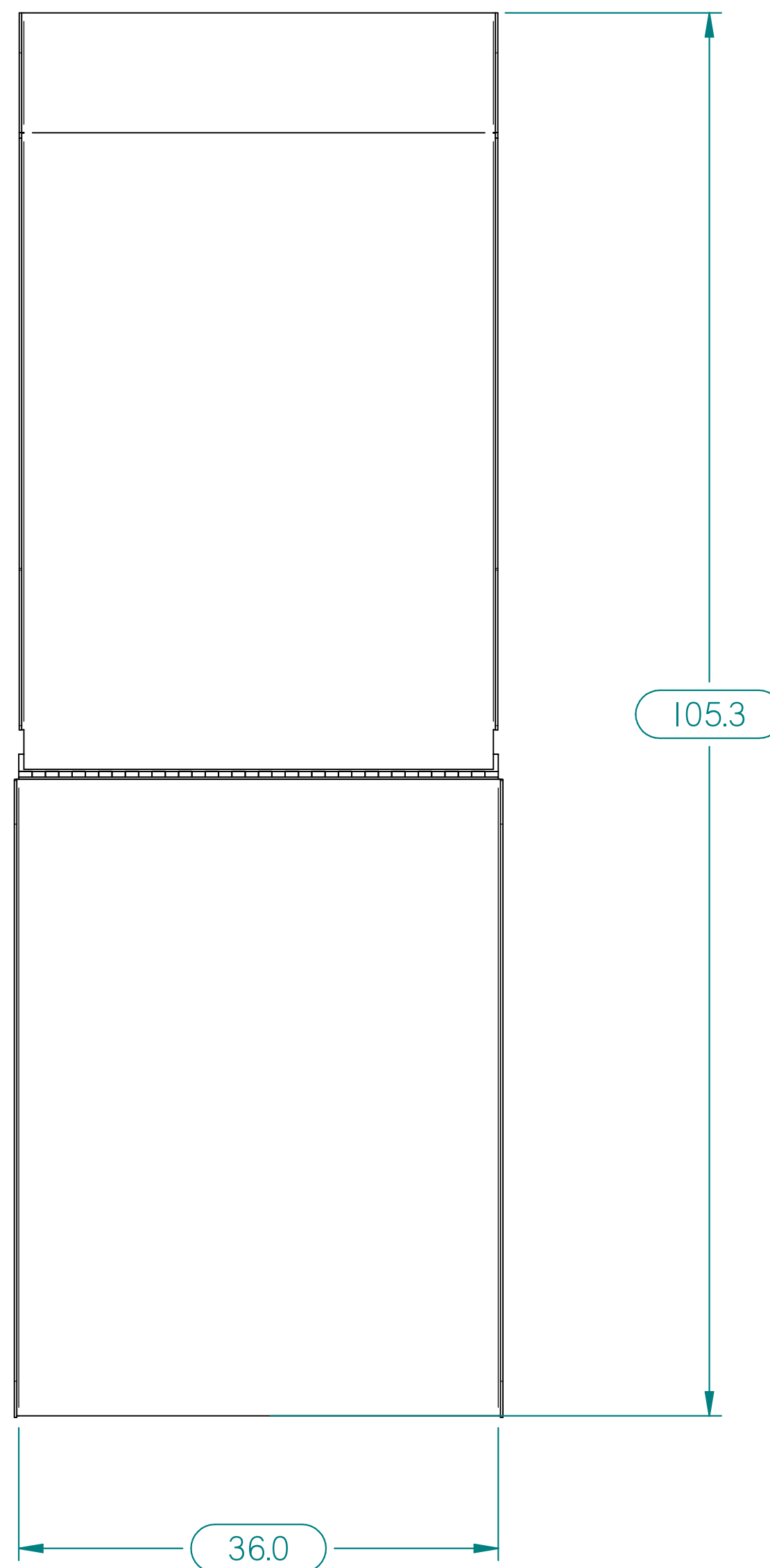


REV	DESCRIPTION	DATE	ECN #	APPR
A	INITIAL RELEASE	00-XXX-19	XXXXX	MM

IR RAMP



MOPEC LEGAL NOTE THIS DOCUMENT CONTAINS PROPRIETARY INFORMATION OF MOPEC, AND MAY NOT BE COPIED IN WHOLE OR PART, AND NO USE SHALL BE MADE OF IT OTHER THAN FOR WHICH IT HAS BEEN SUBMITTED WITHOUT THE WRITTEN PERMISSION OF A MOPEC MANAGER MOPEC 2024	UNLESS OTHERWISE SPECIFIED ALL DIMENSIONS IN INCHES TOLERANCES 0.0 ± 0.1 in 0.00 ± 0.05 in 0.000 ± 0.010 in 0.0000 ± 0.0010 in ANGLES ± 0.5° BREAK ALL CORNERS 0.063 X 45° ALL FILLET RADII R0.063 / 0.125 in INSPECT OVAL DIMENSIONS	MATERIAL 	 DRAWN TO 3RD ANGLE PROJECTION	DRAWN BY: asalame DATE: 11/22/2024	PART NUMBER: IR0004
				CHECKED BY: DATE: 11/22/2024	DESCRIPTION: IR0004-Adft FILE NAME: IR0004-Adft
APPROVED BY: M. McClain DATE: 11/22/2024				SIZE: A2 SCALE: 1:10	DO NOT SCALE IF IN DOUBT ASK SHEET 1 OF 2

IR0004-A.dft