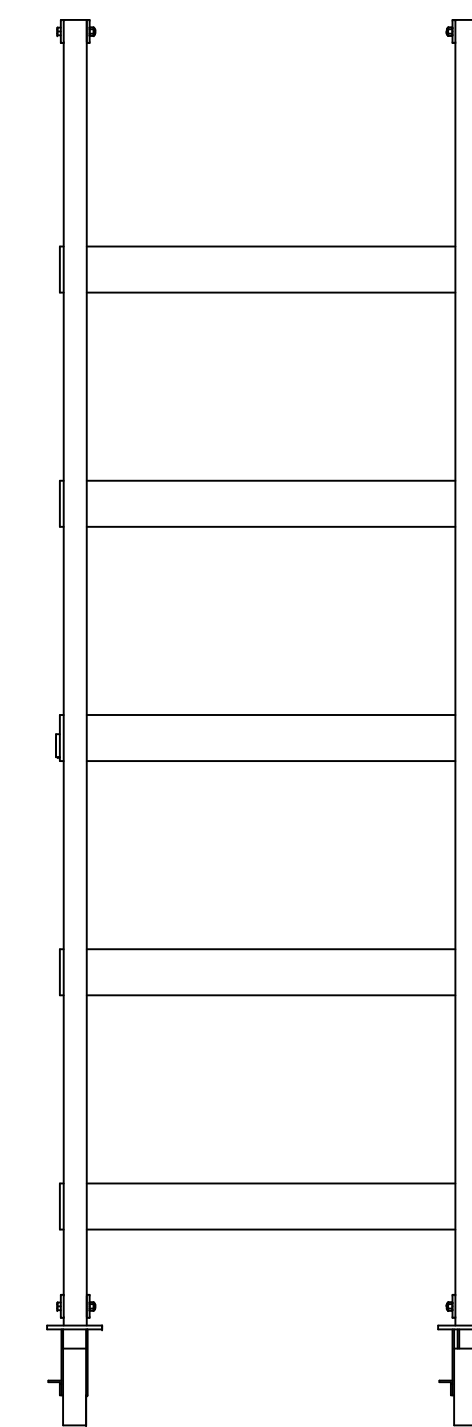
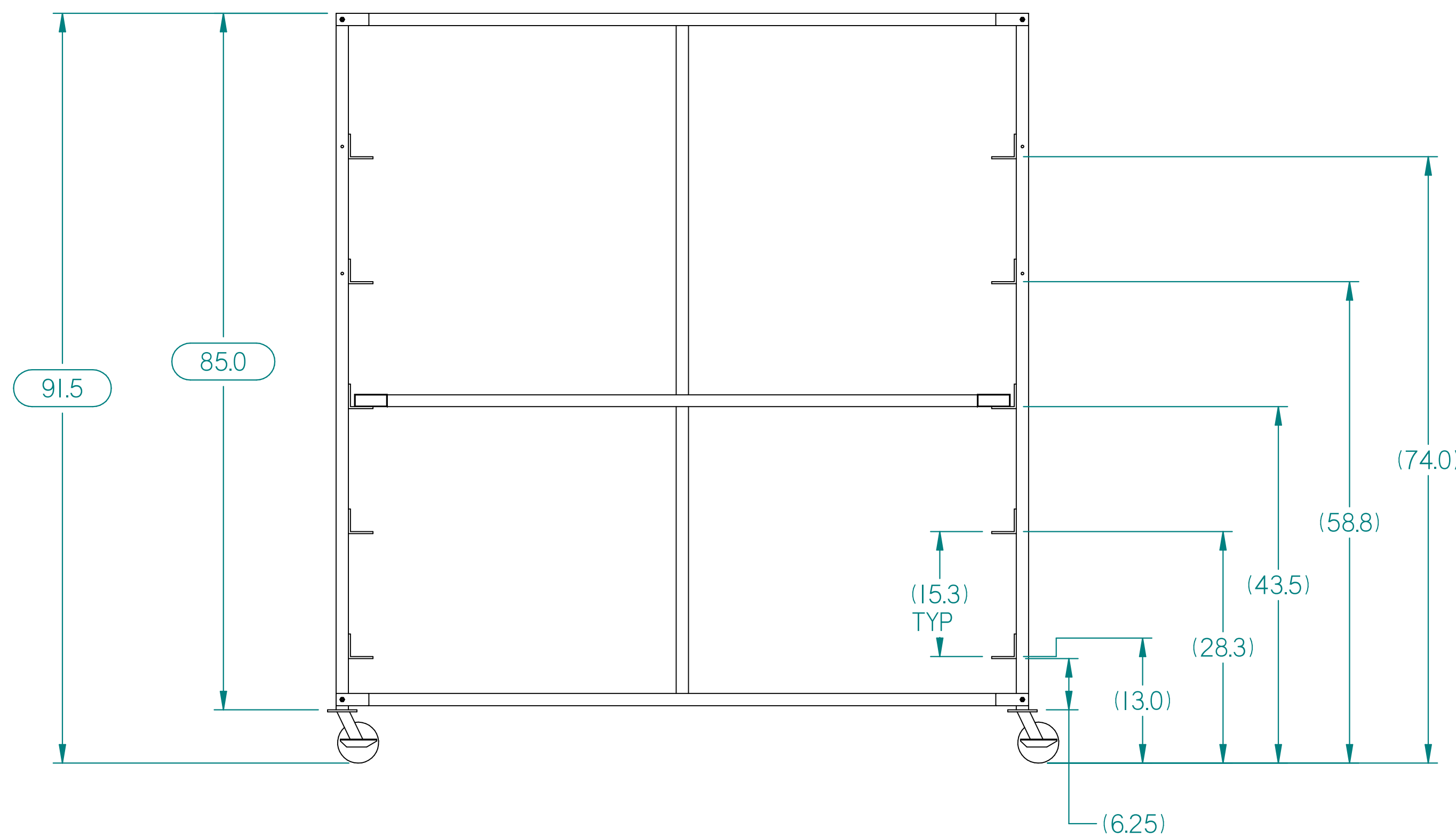
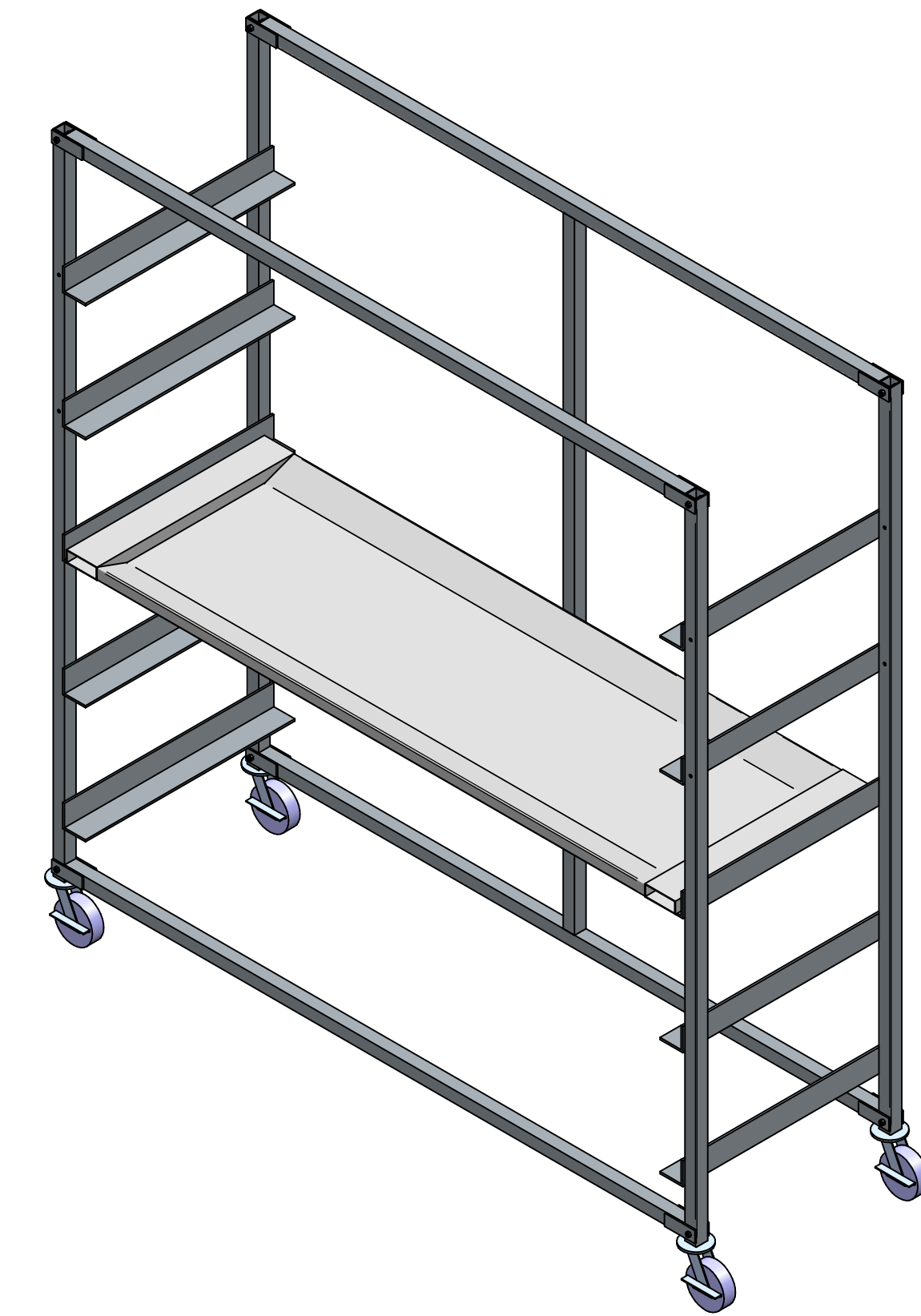
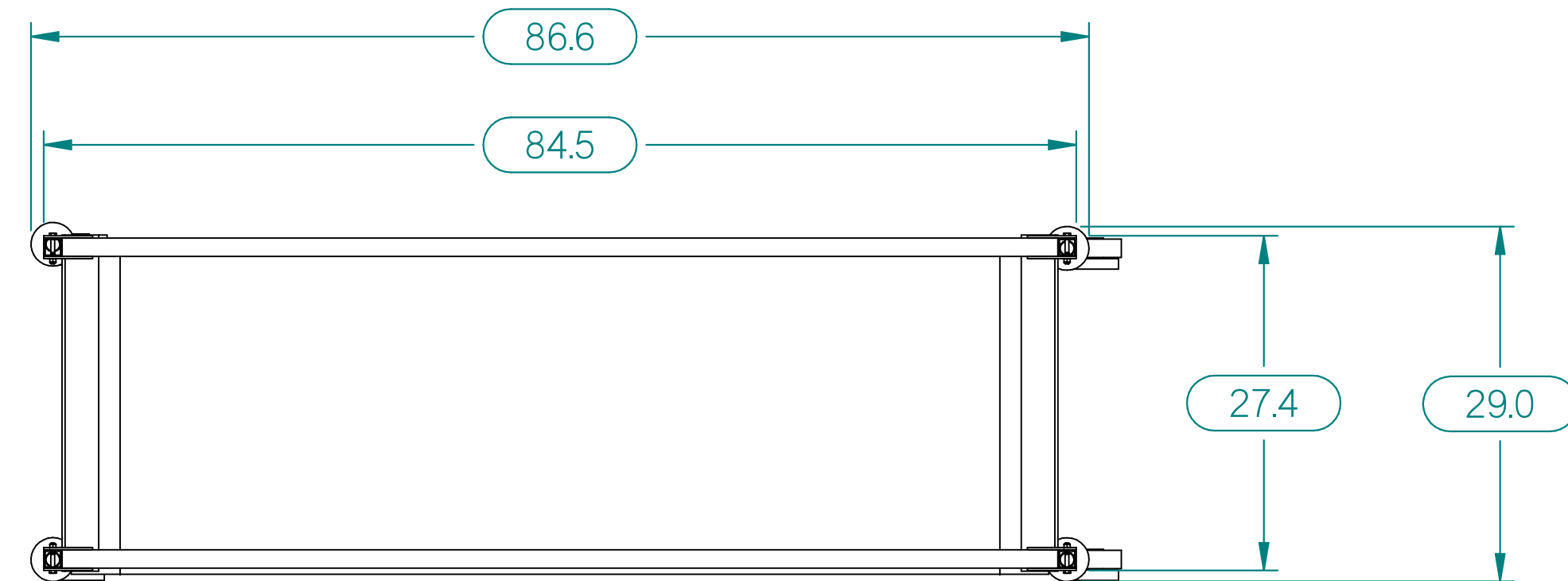


**NOTE:**  
 - 5 TIER RACK SHIPS UNASSEMBLED, BOLTED AT 8 CORNERS  
 - CAPACITY: 300 LBS PER TIER OR 1500 LBS TOTAL

REV	DESCRIPTION	DATE	ECN #	APPR
A	INITIAL RELEASE	00-XXX-19	XXXXX	MM



<b>MOPEC LEGAL NOTE</b> THIS DOCUMENT CONTAINS PROPRIETARY INFORMATION OF MOPEC, AND MAY NOT BE COPIED IN WHOLE OR PART, AND NO USE SHALL BE MADE OF IT OTHER THAN FOR WHICH IT HAS BEEN SUBMITTED WITHOUT THE WRITTEN PERMISSION OF A MOPEC MANAGER MOPEC 2024	UNLESS OTHERWISE SPECIFIED ALL DIMENSIONS IN INCHES TOLERANCES 0.0 ± 0.1 in 0.00 ± 0.05 in 0.000 ± 0.010 in 0.0000 ± 0.0010 in ANGLES ± 0.5° BREAK ALL CORNERS 0.063 X 45° ALL FILLET RADII R0.063 (0.125in) INSPECT OVAL DIMENSIONS	MATERIAL   	 <b>MOPEC</b> GROUP  <b>MORTECH</b> MANUFACTURING	DRAWN BY: jjohnson DATE: 2/2/2022	PART NUMBER: IR26501-B
				CHECKED BY: --- DATE: ---/---/2022	DESCRIPTION: 5 TIER IR RACK
DRAWN TO 3RD ANGLE PROJECTION				APPROVED BY: MMcCLAIN DATE: 2/2/2022	SIZE: A2 FILE NAME: IR26501-B.dft SCALE: 1:12.5
				DO NOT SCALE IF IN DOUBT ASK	SHEET 1 OF 2

\*IR26501-B.dft\*