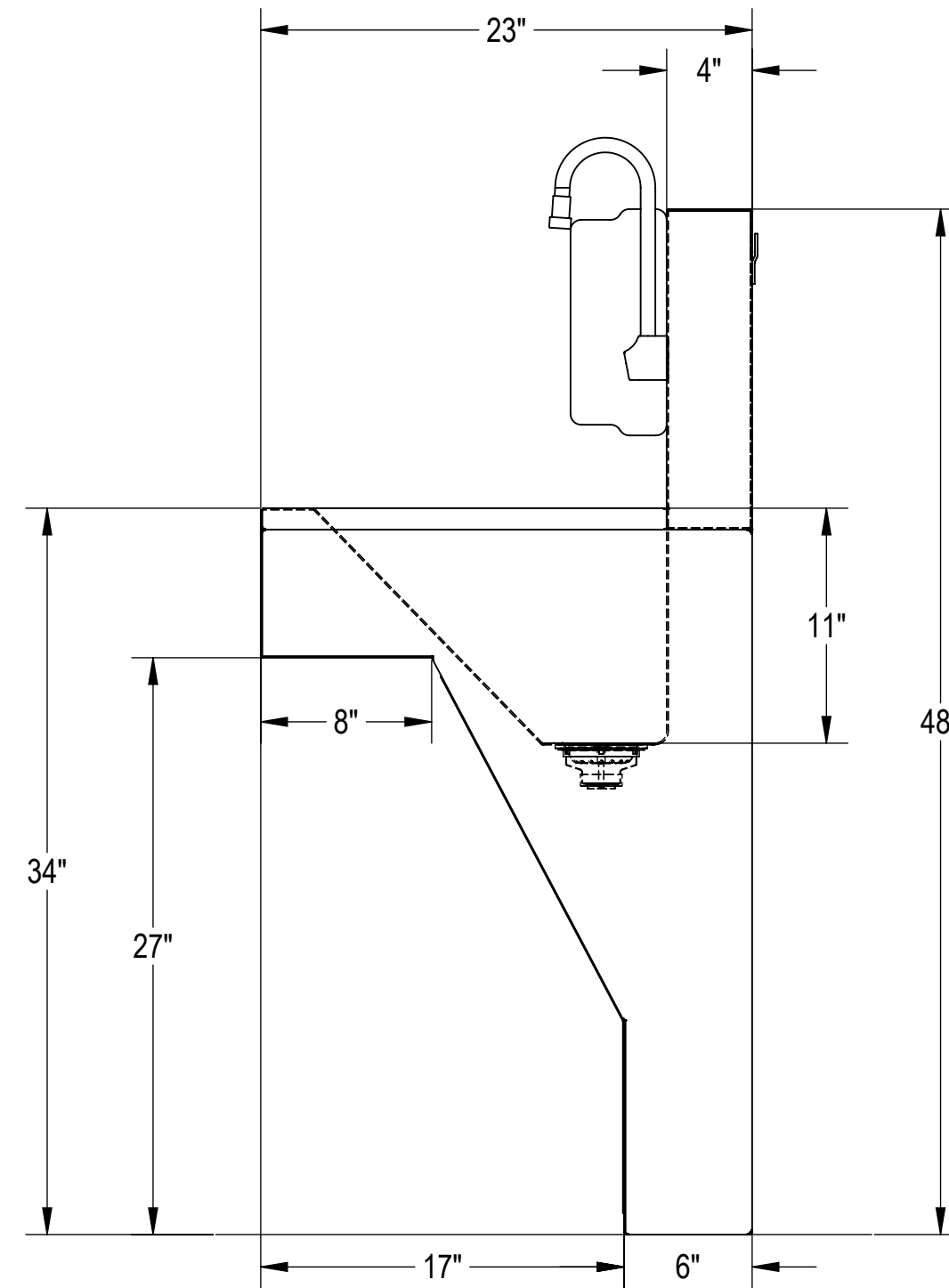
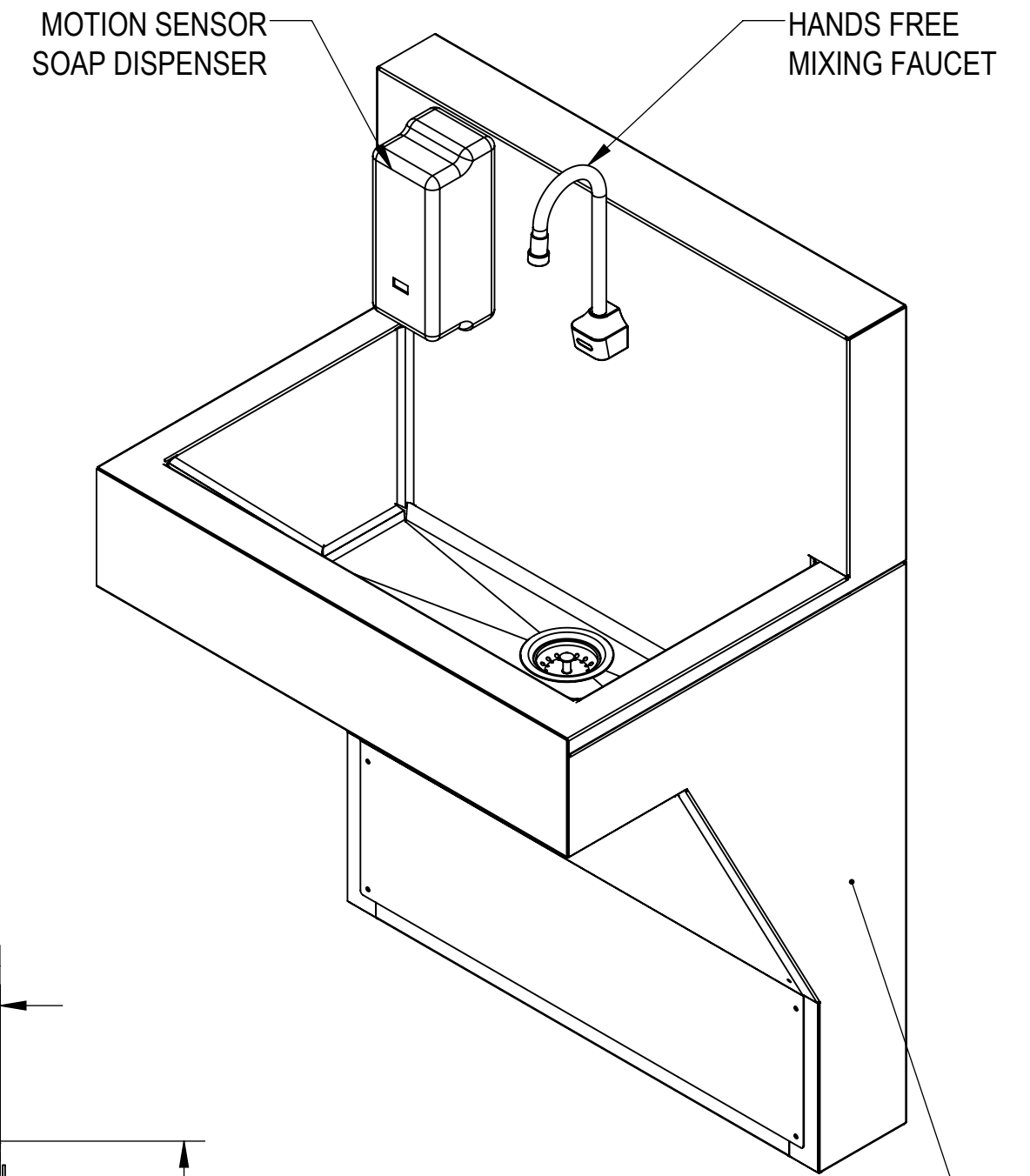
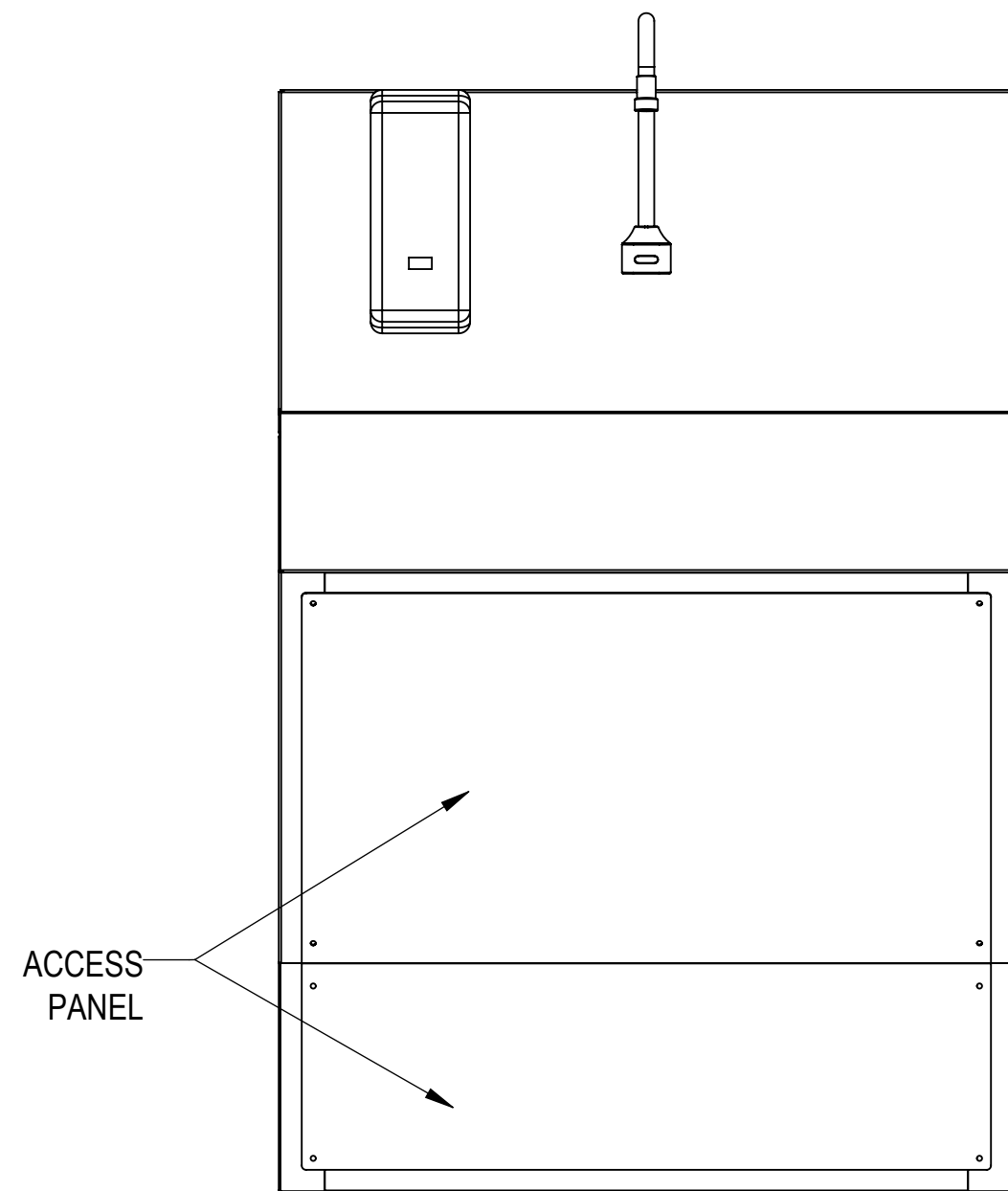
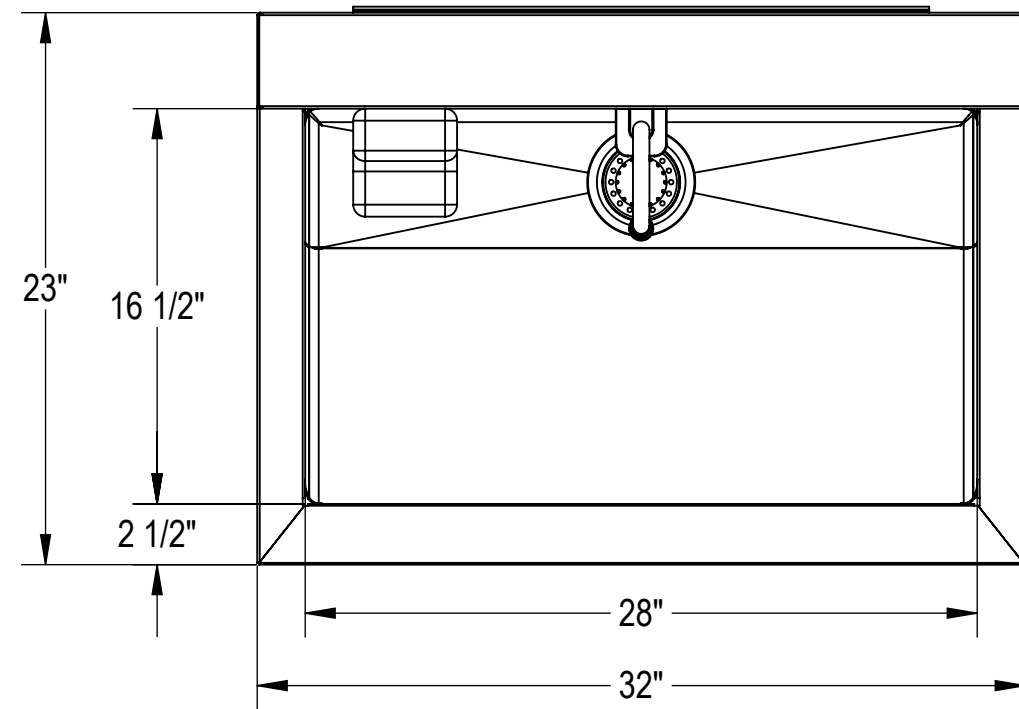


**NOTES: UNLESS OTHERWISE SPECIFIED**

1. APPLICABLE STANDARDS AND SPECIFICATIONS;  
ANSI Y14.5M, DIMENSIONS AND TOLERANCES  
ANSI Y1.1, ABBREVIATIONS



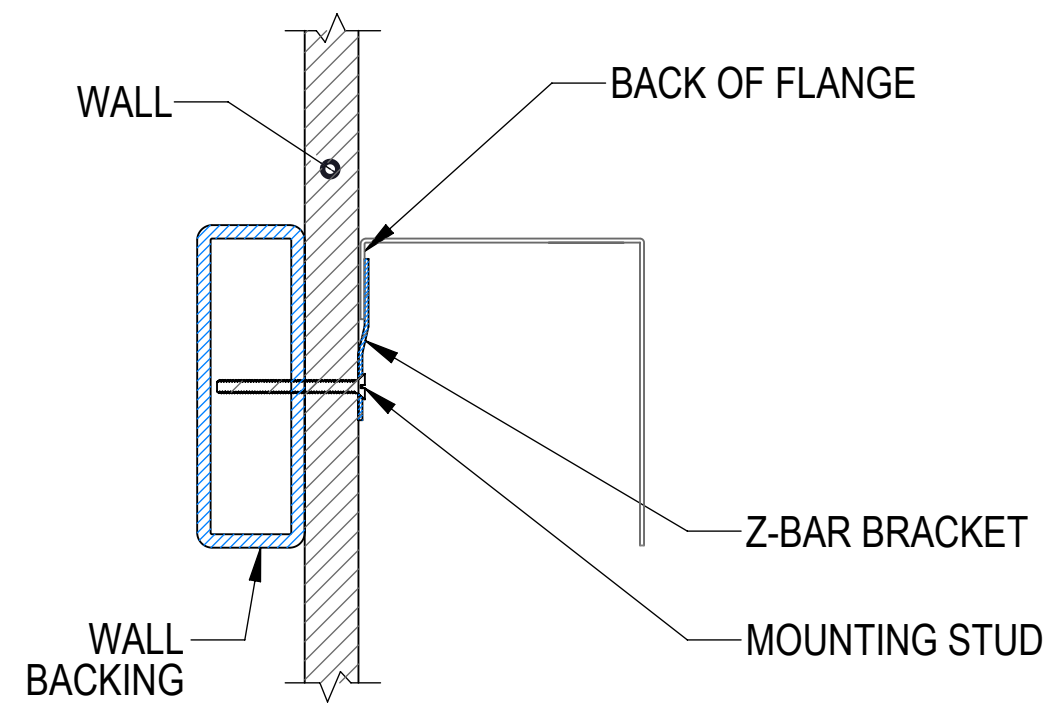
CUSTOMER		APPROVAL		<p style="text-align: center;"><b>PROPRIETARY</b></p> <p style="text-align: center;">THIS DOCUMENT AND THE DATE DISCLOSED HEREIN AND HEREWITH IS NOT TO BE REPRODUCED, USED, OR OTHERWISE DISCLOSED IN WHOLE OR IN PART TO ANYONE WITHOUT WRITTEN AUTHORIZATION FROM MORTECH MFG.</p>					
PROJECT				<p style="text-align: center;">DO NOT SCALE DRAWING</p>			<p style="text-align: center;"><b>MODEL SS101-ADA</b></p>		
				<p style="text-align: center;">MATERIAL</p> <p style="text-align: center;"><b>304 STAINLESS STEEL</b></p>			<p style="text-align: center;"><b>SINGLE SCRUB STATION, ADA COMPLIANT</b></p>		
				<p style="text-align: center;">FINISH</p> <p style="text-align: center;"><b>#4 SATIN</b></p>			<p style="text-align: center;">SIZE</p> <p style="text-align: center;"><b>C</b></p>		
				<p style="text-align: center;">APPROVALS</p> <p style="text-align: center;">DRAWN BY: BRIAN W.</p> <p style="text-align: center;">CHECKED BY:</p> <p style="text-align: center;">DATE: 03/22/19</p> <p style="text-align: center;">APPROVED BY:</p>			<p style="text-align: center;">REV. X01</p>		
				<p style="text-align: center;">SCALE</p> <p style="text-align: center;">1:8</p>			<p style="text-align: center;">NEXT ASSY.</p>		
				<p style="text-align: center;">SHEET</p> <p style="text-align: center;">1 OF 3</p>					

**WALL MOUNTING NOTES:**

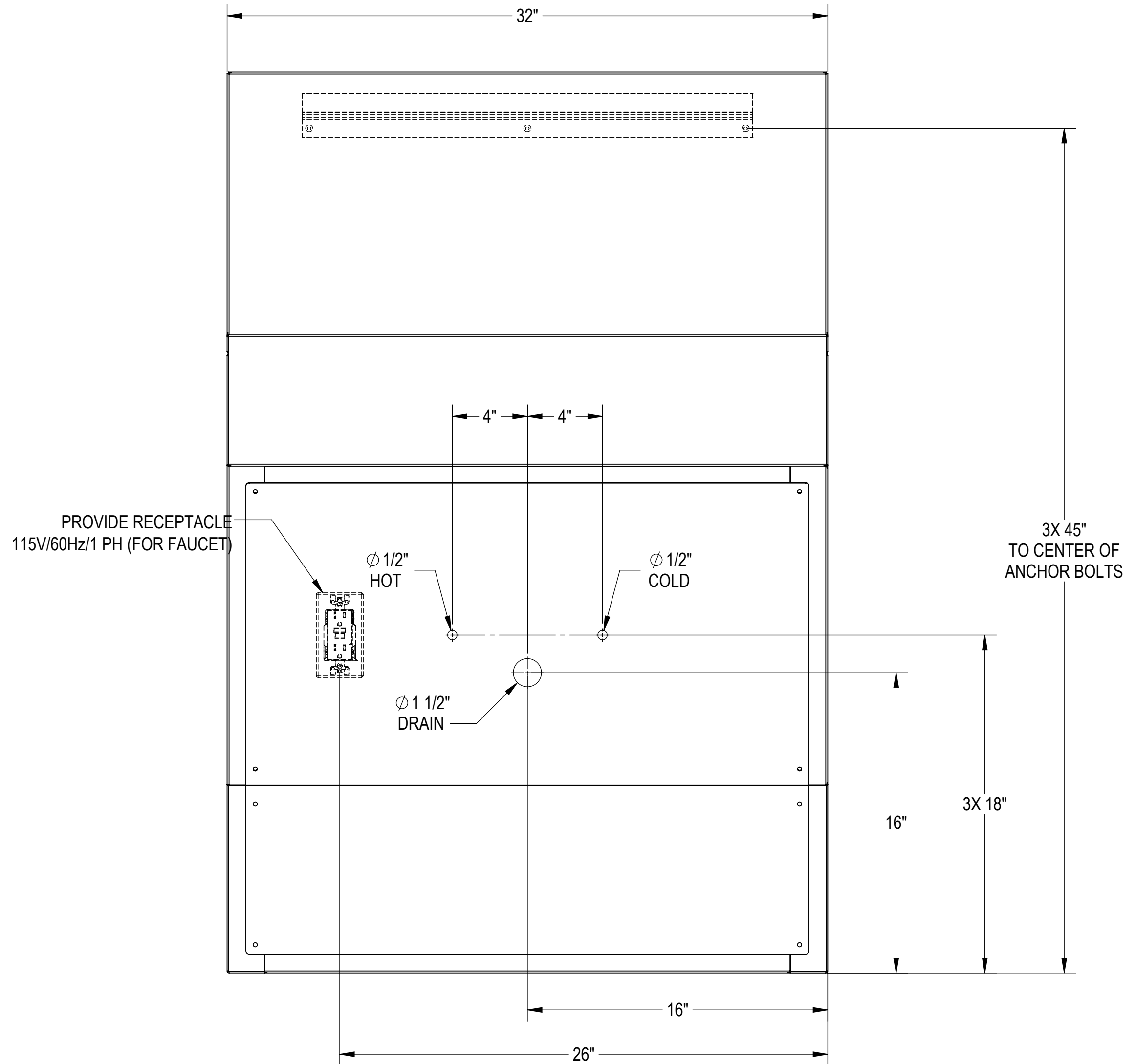
1. Z-BAR SHIPPED WITHOUT MOUNTING HOLES FOR ADOPTION TO FIELD CONDITIONS. HOLES TO BE DRILLED BY INSTALLER.
2. INSTALL MINIMUM (3) UPPER ANCHORS.  
FIRST HOLE: 1" IN FROM SIDE OF Z-BAR.  
Z-BAR LENGTH: 24" LONG.  
ADDITIONAL ANCHORS CAN BE ADDED AS NEEDED.
3. USE MINIMUM 1/4" TEK SCREWS 2" LONG. ADJUST LENGTH PER WALL THICKNESS.
4. ANCHORS USED MUST BE FLUSH TO Z-BAR AS MUCH AS POSSIBLE. THEY MUST NOT INTERFERE WITH PLUMBING BEHIND WALL.
5. INSTALLATION IS BASED ON ROUGH-IN MOUNTING DETAIL PROVIDED.


**UTILITY REQUIREMENT NOTES:**

1. FLUSH LINES CLEAR BEFORE CONNECTING TO STATION.
2. PLUMBER FOR PROVIDE SHUT-OFF VALVES FOR WATER CONNECTIONS AND P-TRAP FOR DRAIN.
3. PROVIDE RECEPTACLE TO POWER HANDS FREE FAUCET OR SPECIFY BATTERY POWERED FAUCETS.



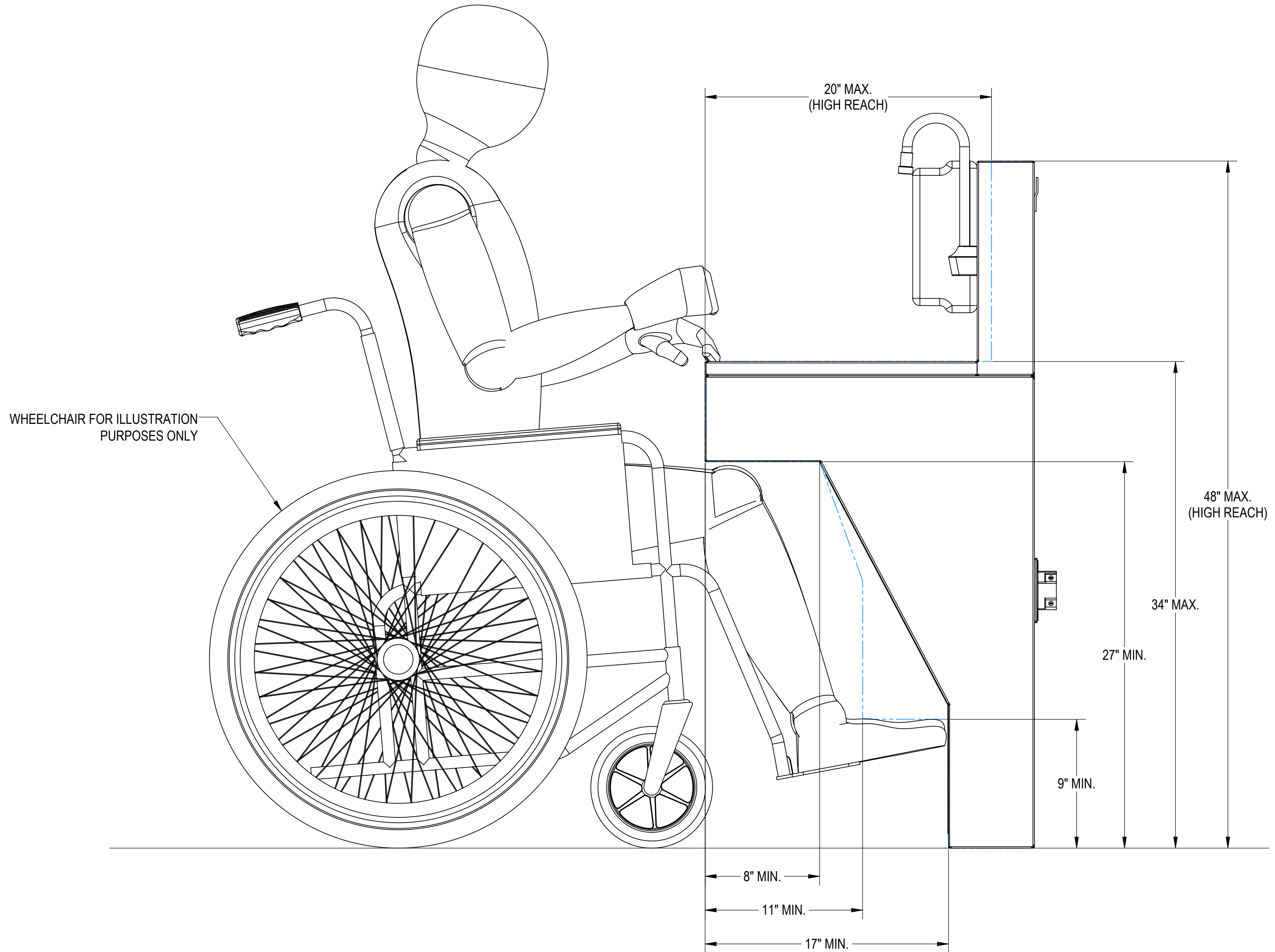
SECTION A-A  
SCALE 1 : 4



CUSTOMER		APPROVAL		<p style="text-align: center;"><b>PROPRIETARY</b></p> <p style="text-align: center;">THIS DOCUMENT AND THE DATE DISCLOSED HEREIN AND HEREWITH IS NOT TO BE REPRODUCED, USED, OR OTHERWISE DISCLOSED IN WHOLE OR IN PART TO ANYONE WITHOUT WRITTEN AUTHORIZATION FROM MORTECH MFG.</p>					
PROJECT		SIGNATURE		DATE	<p>DO NOT SCALE DRAWING</p> <p>MATERIAL: <b>304 STAINLESS STEEL</b></p> <p>FINISH: <b>#4 SATIN</b></p>	<p>APPROVALS</p> <p>DRAWN BY: BRIAN W.</p> <p>CHECKED BY:</p> <p>APPROVED BY:</p>	<p>DATE</p> <p>03/22/19</p>	<p>TITLE</p> <p style="text-align: center;"><b>MODEL SS101-ADA</b></p> <p style="text-align: center;"><b>SINGLE SCRUB STATION, ADA COMPLIANT</b></p> <p style="text-align: center;"><b>ROUGH-IN</b></p>	
					<p>SCALE: <b>1:5</b></p>	<p>SIZE: <b>C</b></p>	<p>DWG NO.: <b>SS101-ADA</b></p>	<p>REV. <b>X01</b></p>	<p>SHEET <b>2</b> OF <b>3</b></p>

**NOTES: UNLESS OTHERWISE SPECIFIED**

1. APPLICABLE STANDARDS AND SPECIFICATIONS;  
ANSI Y14.5M, DIMENSIONS AND TOLERANCES  
ANSI Y1.1, ABBREVIATIONS



CUSTOMER		APPROVAL		PROPRIETARY				
PROJECT				THIS DOCUMENT AND THE DATE DISCLOSED HEREIN AND HERewith IS NOT TO BE REPRODUCED, USED, OR OTHERWISE DISCLOSED IN WHOLE OR IN PART TO ANYONE WITHOUT WRITTEN AUTHORIZATION FROM MORTECH MFG.			TITLE <b>MODEL SS101-ADA</b> <b>SINGLE SCRUB STATION, ADA COMPLIANT</b> <b>ADA CLEARANCES</b>	
		SIGNATURE		DATE	DO NOT SCALE DRAWING	APPROVALS	DATE	SIZE <b>C</b>
					MATERIAL <b>304 STAINLESS STEEL</b>	DRAWN BY BRIAN W.	03/22/19	DWG NO. <b>SS101-ADA</b>
					FINISH <b>#4 SATIN</b>	CHECKED BY		SCALE 1:5
					APPROVED BY			NEXT ASSY. SHEET 3 OF 3
								REV. <b>X01</b>