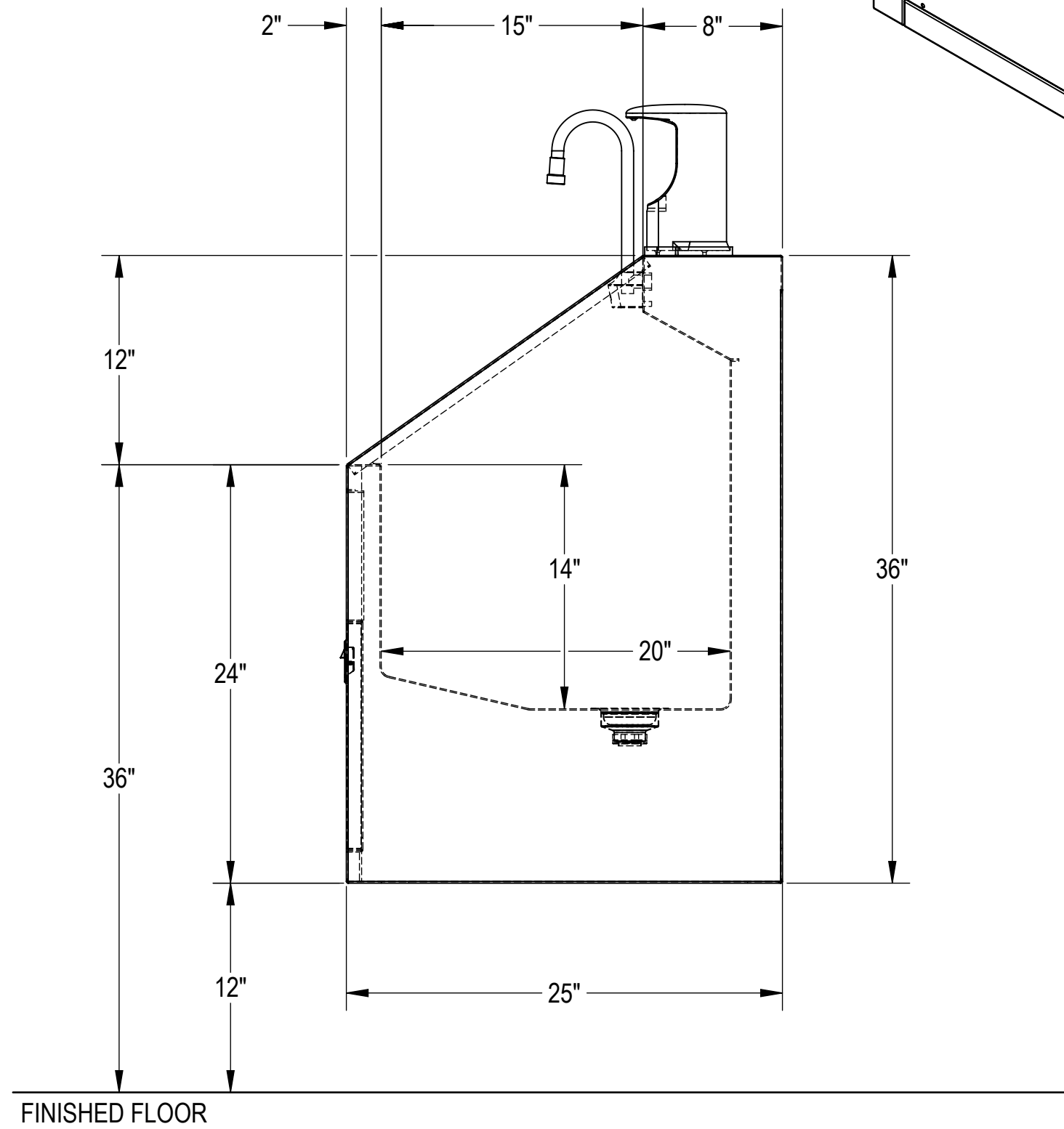
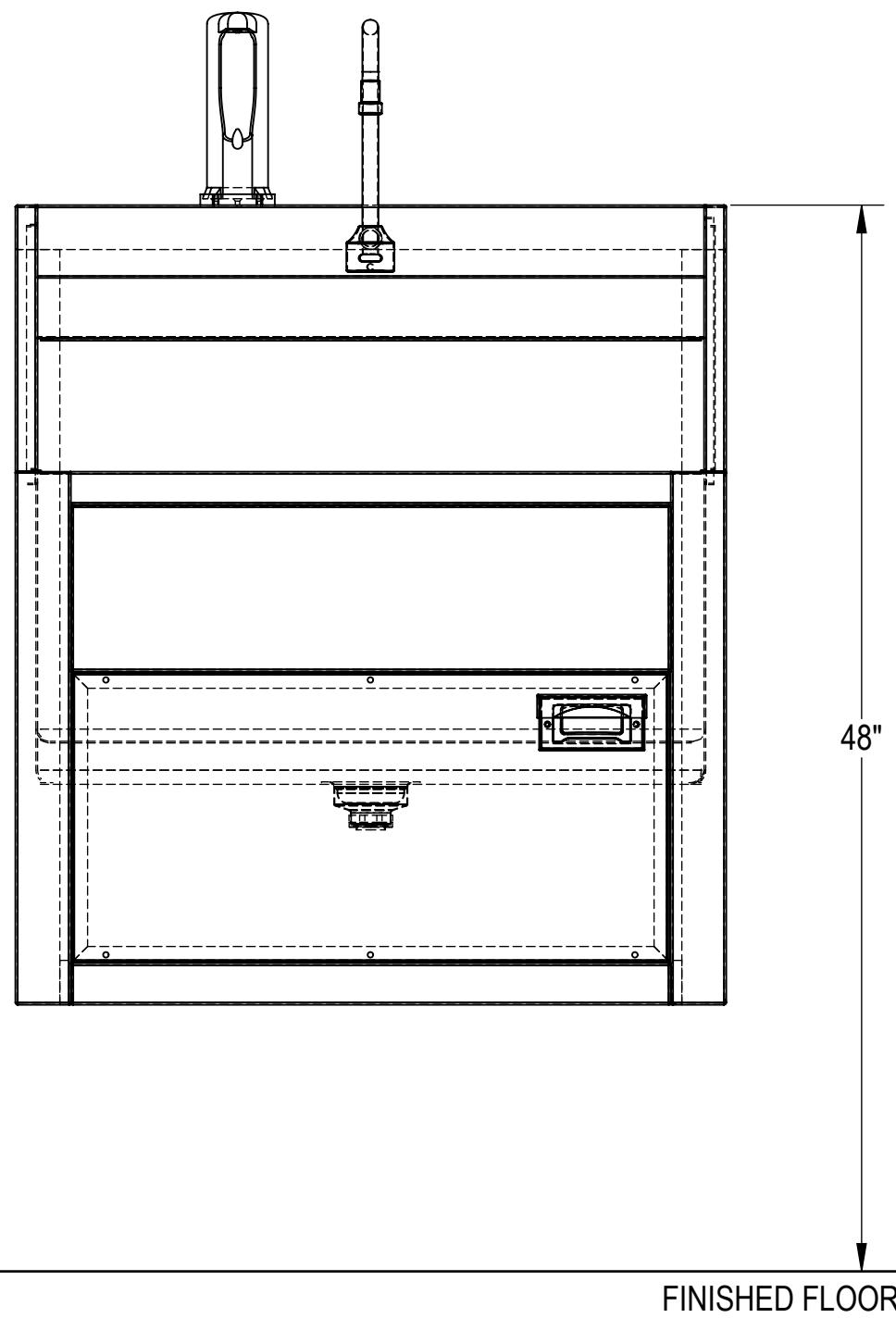
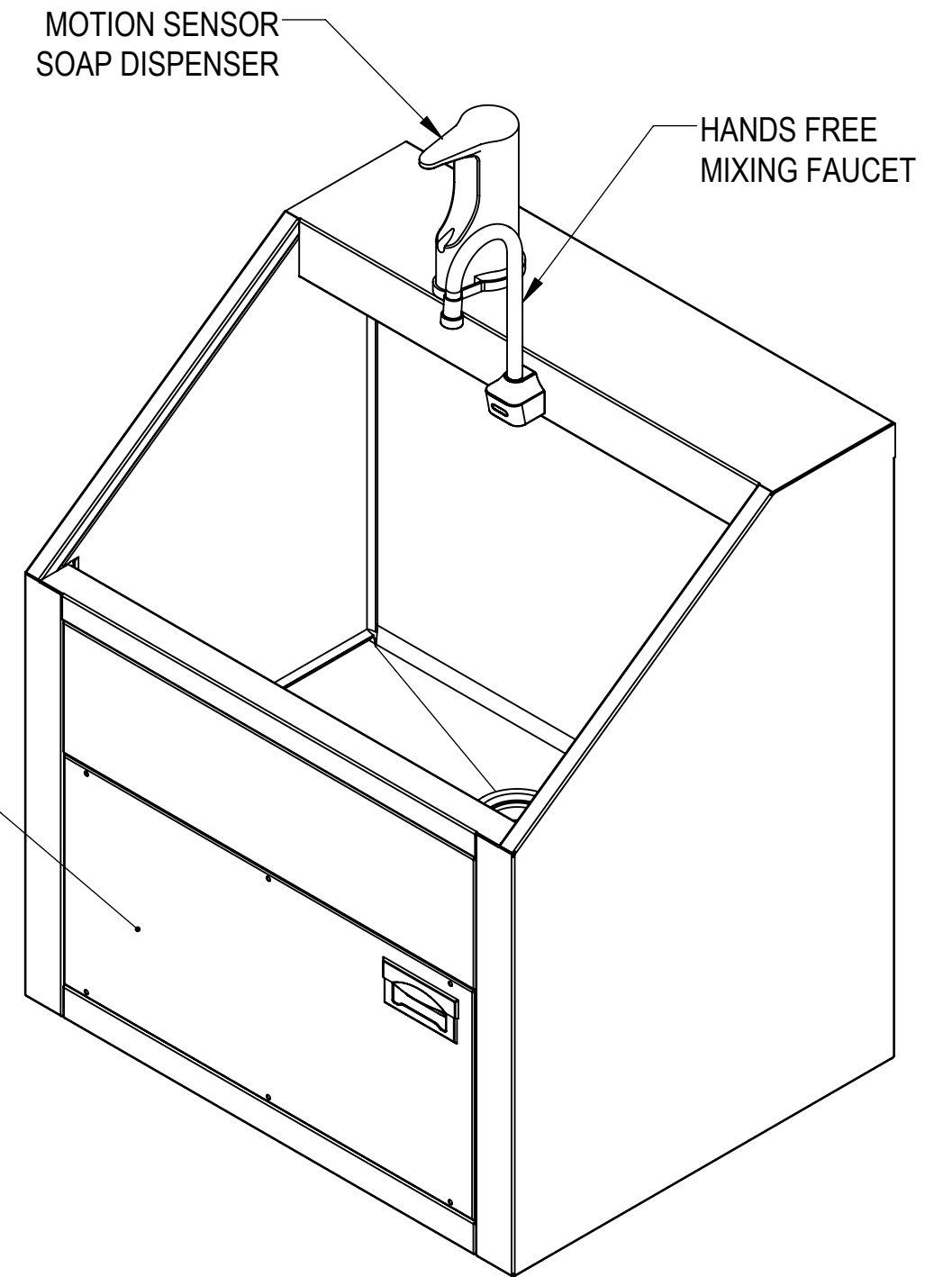
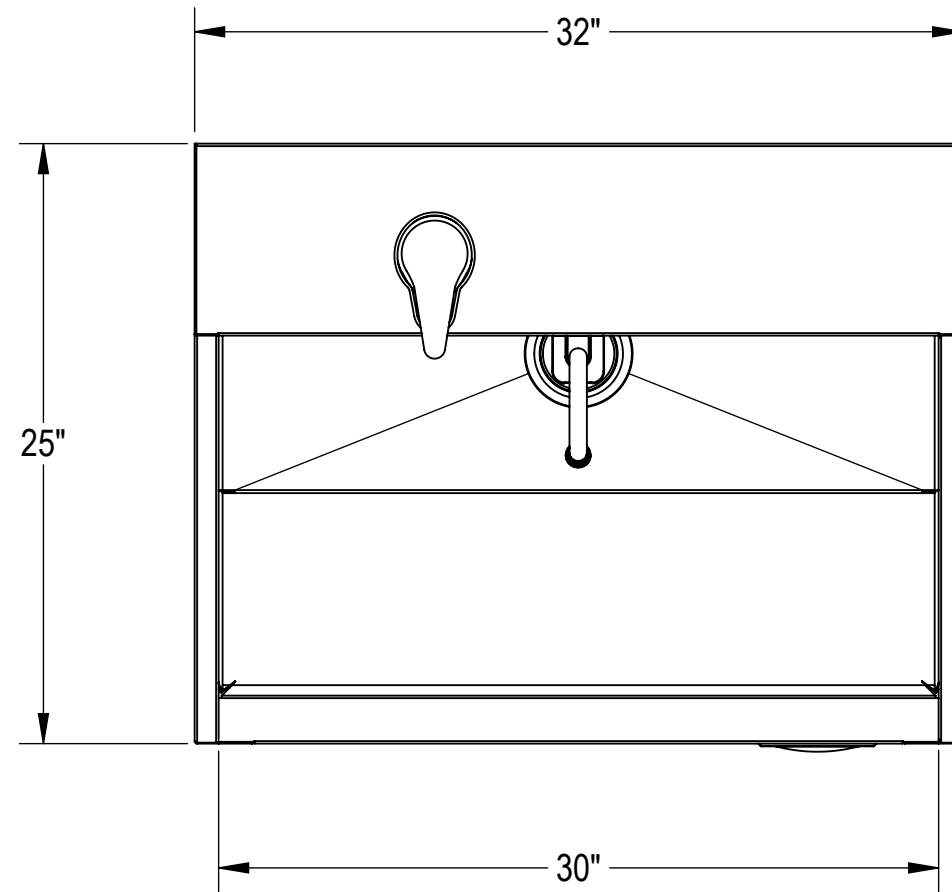


NOTES: UNLESS OTHERWISE SPECIFIED

1. APPLICABLE STANDARDS AND SPECIFICATIONS;
ANSI Y14.5M, DIMENSIONS AND TOLERANCES
ANSI Y1.1, ABBREVIATIONS



CUSTOMER	APPROVAL
PROJECT	SIGNATURE
	DATE

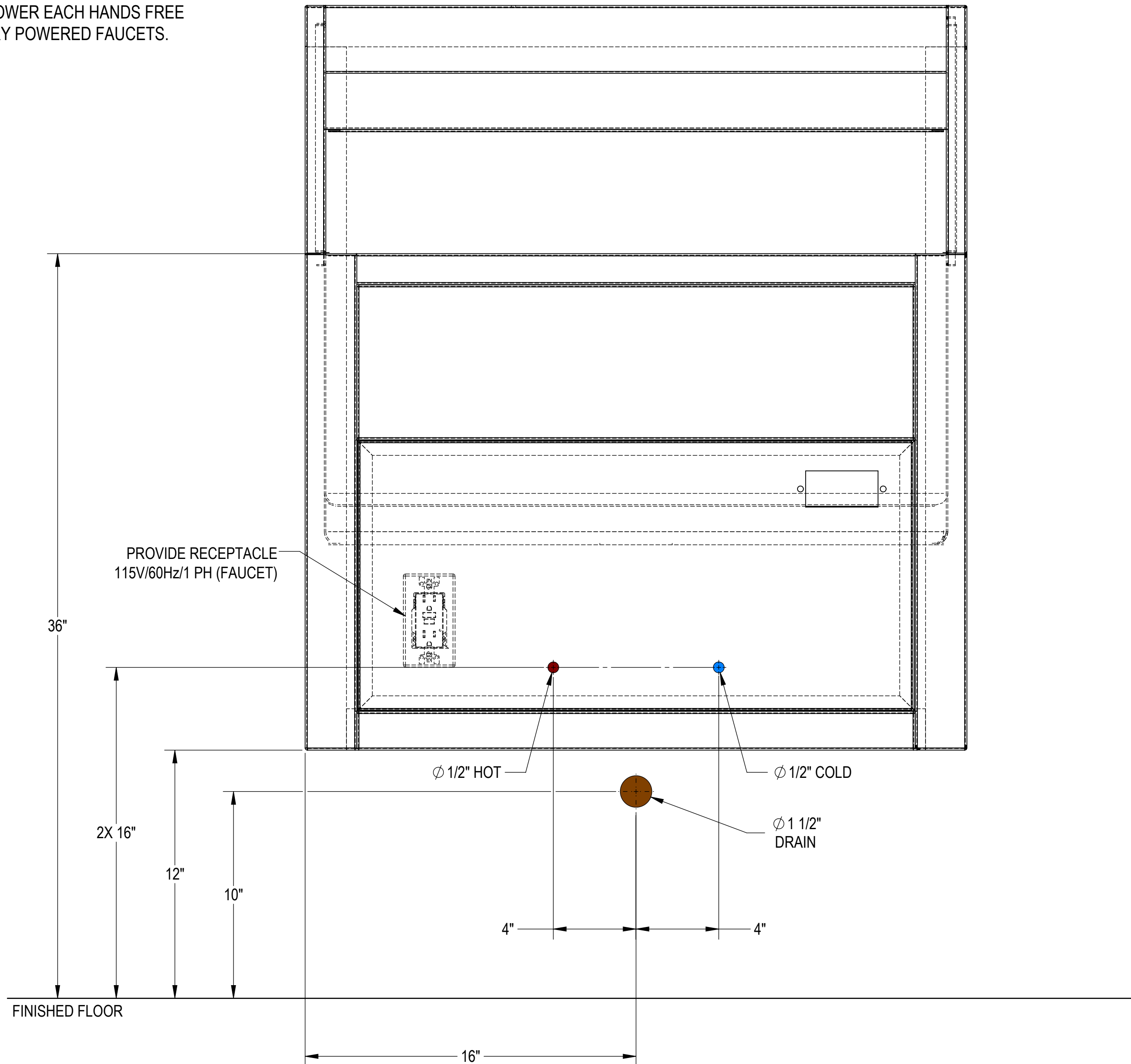
PROPRIETARY		
THIS DOCUMENT AND THE DATE DISCLOSED HEREIN AND HERewith IS NOT TO BE REPRODUCED, USED, OR OTHERWISE DISCLOSED IN WHOLE OR IN PART TO ANYONE WITHOUT WRITTEN AUTHORIZATION FROM MORTECH MFG.		
DO NOT SCALE DRAWING	APPROVALS	DATE
MATERIAL	DRAWN BY	CHECKED BY
304 STAINLESS STEEL	ELISEO S.	02/27/17
FINISH	APPROVED BY	
#4 SATIN		


DO NOT SCALE DRAWING		
MATERIAL	DRAWN BY	DATE
304 STAINLESS STEEL	ELISEO S.	02/27/17
FINISH	APPROVED BY	
#4 SATIN		

MOPEC GROUP		Mopec MORTECH MANUFACTURING	
ELEVATING PATHOLOGY			
TITLE: MODEL SS101			
SINGLE SCRUB STATION, HANDS FREE			
SIZE: C	DWG NO.: SS101AP	REV.: X01	
SCALE: 1:8	NEXT ASSY.:	SHEET: 1	OF: 3

UTILITY REQUIREMENT NOTES:

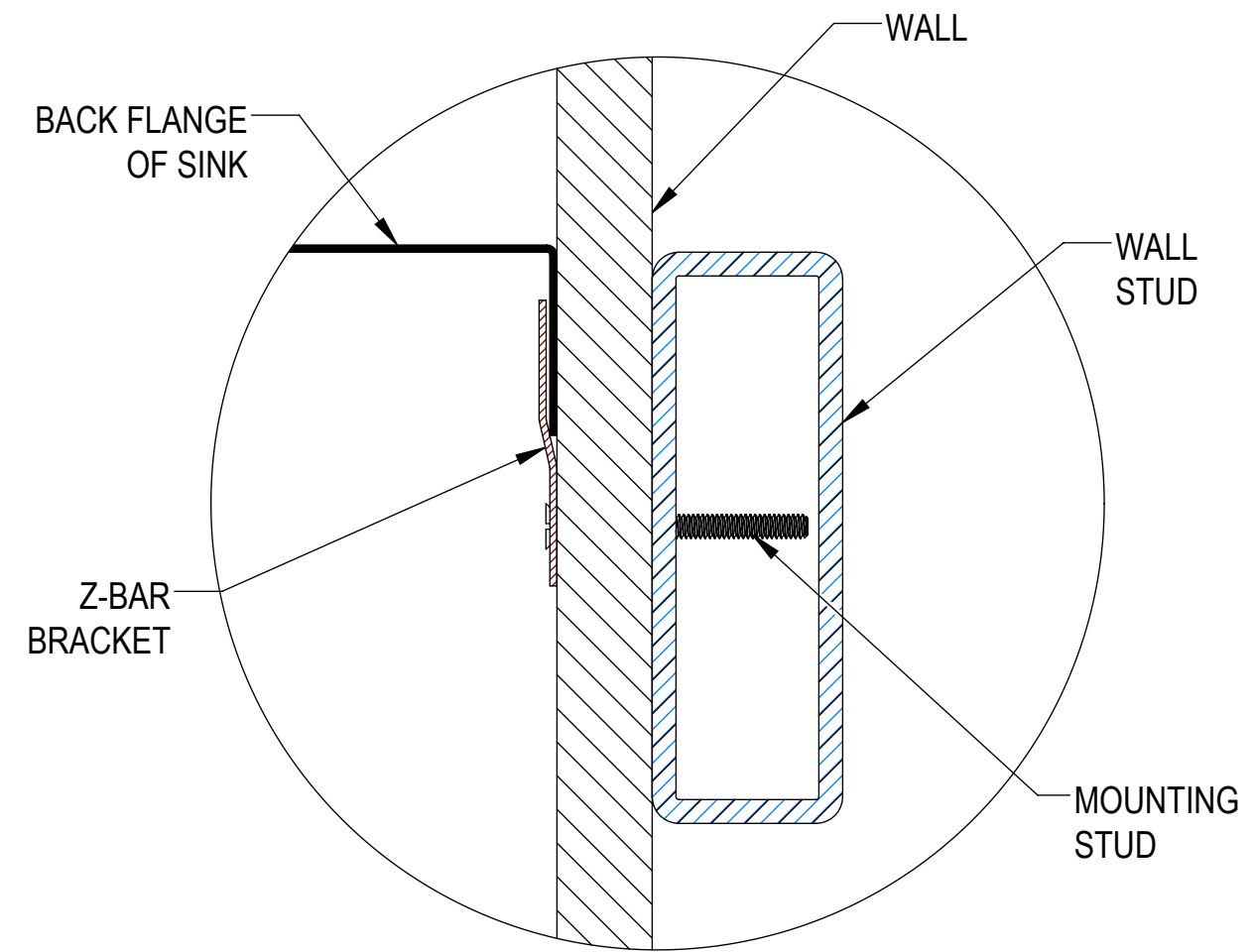
1. FLUSH LINES CLEAR BEFORE CONNECTING TO STATION.
2. PLUMBER TO PROVIDE SHUT-OFF VALVES FOR WATER CONNECTIONS AND P-TRAP FOR DRAIN.
3. PROVIDE RECEPTACLE TO POWER EACH HANDS FREE FAUCET OR SPECIFY BATTERY POWERED FAUCETS.



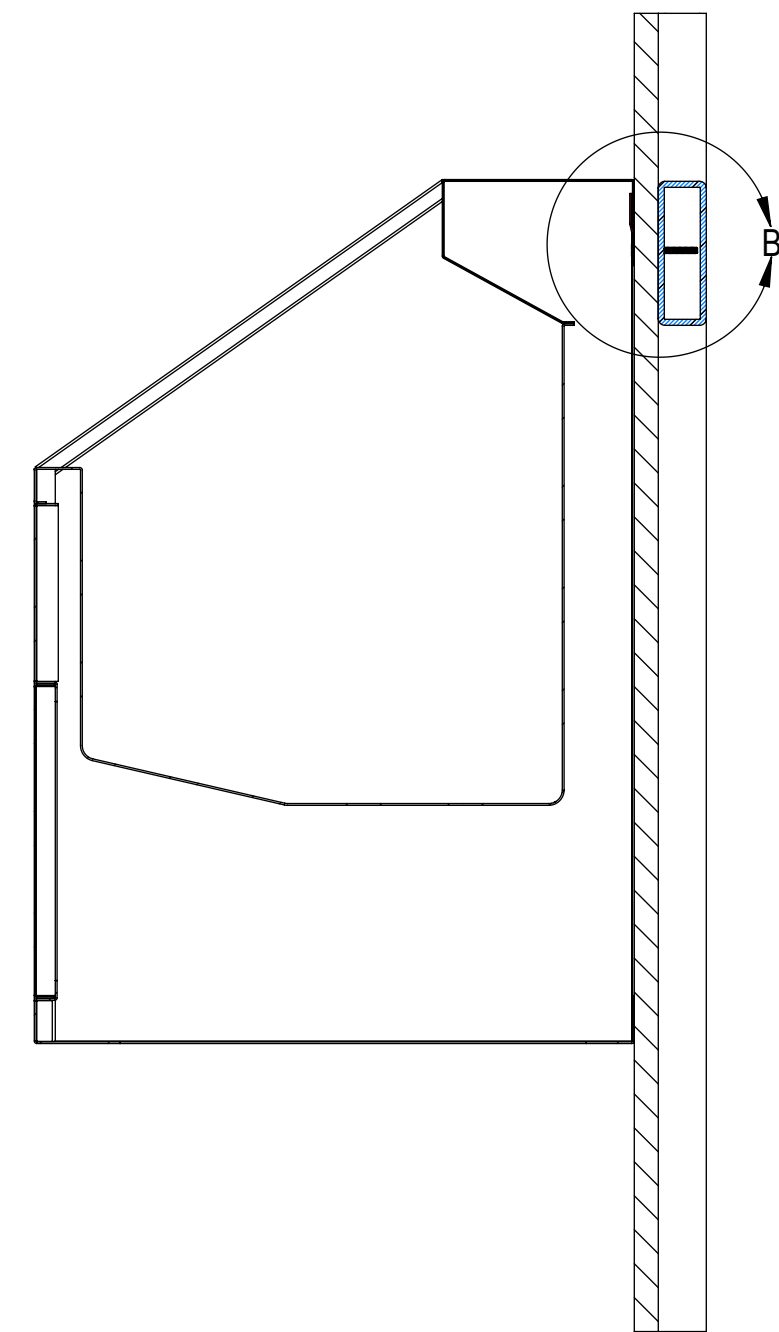
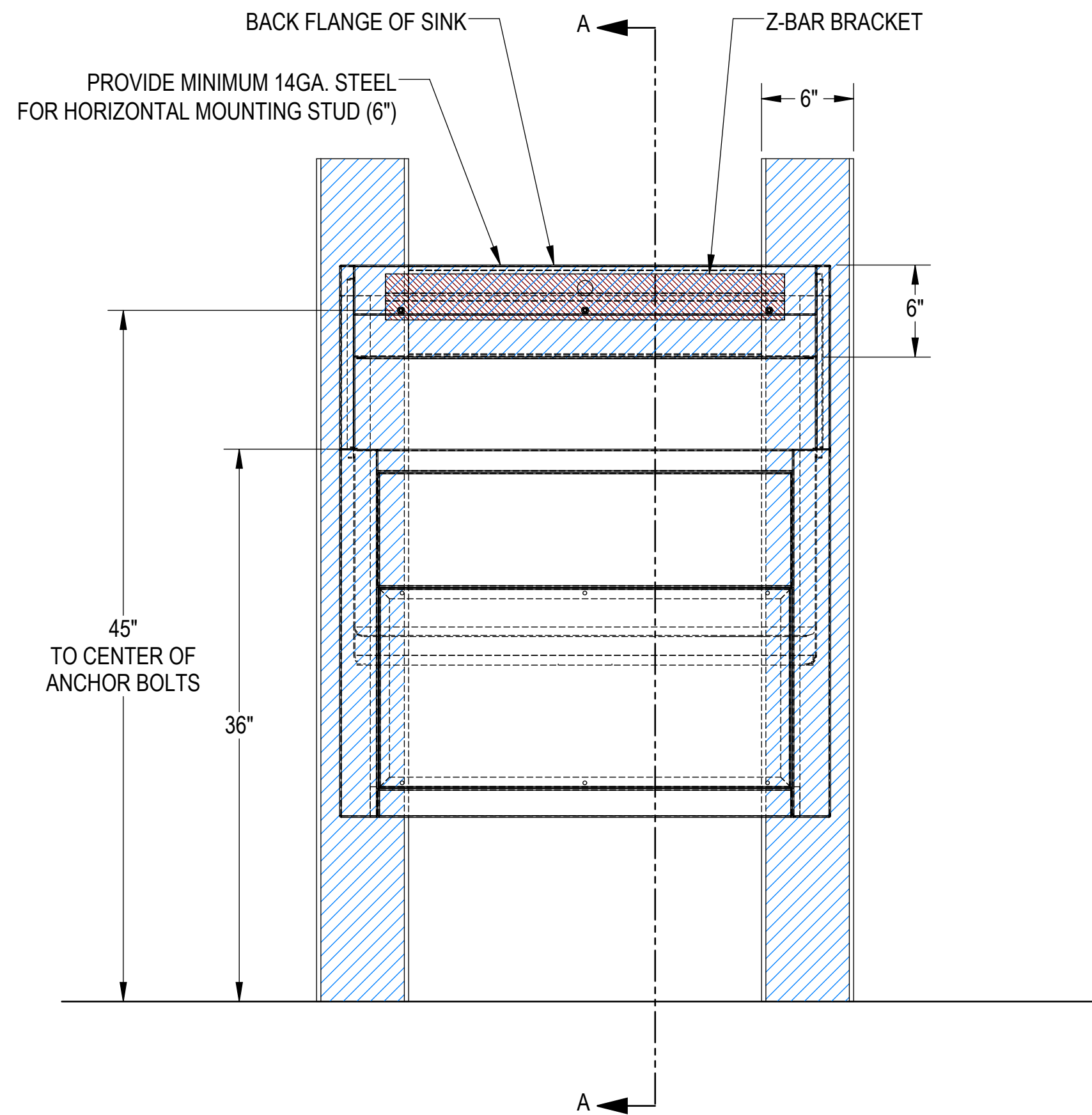
CUSTOMER		APPROVAL		<p style="text-align: center;">PROPRIETARY</p> <p style="text-align: center;">THIS DOCUMENT AND THE DATE DISCLOSED HEREIN AND HEREWITH IS NOT TO BE REPRODUCED, USED, OR OTHERWISE DISCLOSED IN WHOLE OR IN PART TO ANYONE WITHOUT WRITTEN AUTHORIZATION FROM MORTECH MFG.</p>							
PROJECT		SIGNATURE					DATE		<p style="text-align: center;">MODEL SS101 SINGLE SCRUB STATION, HANDS FREE ROUGH-IN</p>		
				DO NOT SCALE DRAWING		APPROVALS		DATE		TITLE	
				MATERIAL		DRAWN BY		02/27/17		SIZE	
				304 STAINLESS STEEL		ELISEO S.				C	
				FINISH		CHECKED BY				DWG NO.	
				#4 SATIN		APPROVED BY				SS101AP	
										REV. X01	
								SCALE 1:4		SHEET 2 OF 3	

WALL-MOUNTING NOTES:

1. Z-BAR SHIPPED WITHOUT MOUNTING HOLES FOR ADOPTION TO FIELD CONDITIONS. HOLES TO BE DRILLED BY INSTALLER.
2. INSTALL 3 ANCHORS AT 27 1/2" ON CENTER. FIRST HOLE 1" IN FROM SIDE OF Z-BAR
Z-BAR LENGTH: 57"
ADDITIONAL ANCHORS CAN BE ADDED AS NEEDED.
3. USE 1/4" TEK SCREWS 2 3/4" LONG
ADJUST LENGTH PER WALL THICKNESS.
4. INSTALLATION IS BASED ON ROUGH-IN MOUNTING DETAIL.
5. ANCHORS USED MUST BE FLUSH TO Z-BAR AS MUCH AS POSSIBLE. THEY MUST NOT INTERFERE WITH PLUMBING BEHIND WALL.



DETAIL B
SCALE 1 : 2



SECTION A-A

CUSTOMER		APPROVAL		PROPRIETARY							
PROJECT				<small>THIS DOCUMENT AND THE DATE DISCLOSED HEREIN AND HEREWITH IS NOT TO BE REPRODUCED, USED, OR OTHERWISE DISCLOSED IN WHOLE OR IN PART TO ANYONE WITHOUT WRITTEN AUTHORIZATION FROM MORTECH MFG.</small>							
		SIGNATURE		DATE		<small>DO NOT SCALE DRAWING</small>		<small>APPROVALS</small>		<small>DATE</small>	
						<small>MATERIAL</small> 304 STAINLESS STEEL		<small>DRAWN BY</small> ELISEO S.		<small>DATE</small> 02/27/17	
						<small>FINISH</small> #4 SATIN		<small>CHECKED BY</small>		<small>SCALE</small> C	
						<small>APPROVED BY</small>		<small>APPROVED BY</small>		<small>REV.</small> X01	
						<small>SCALE</small> 1:8		<small>NEXT ASSY.</small>		<small>SHEET</small> 3 OF 3	
							TITLE MODEL SS101 SINGLE SCRUB STATION, HANDS FREE WALL-MOUNTING DWG NO. SS101AP				