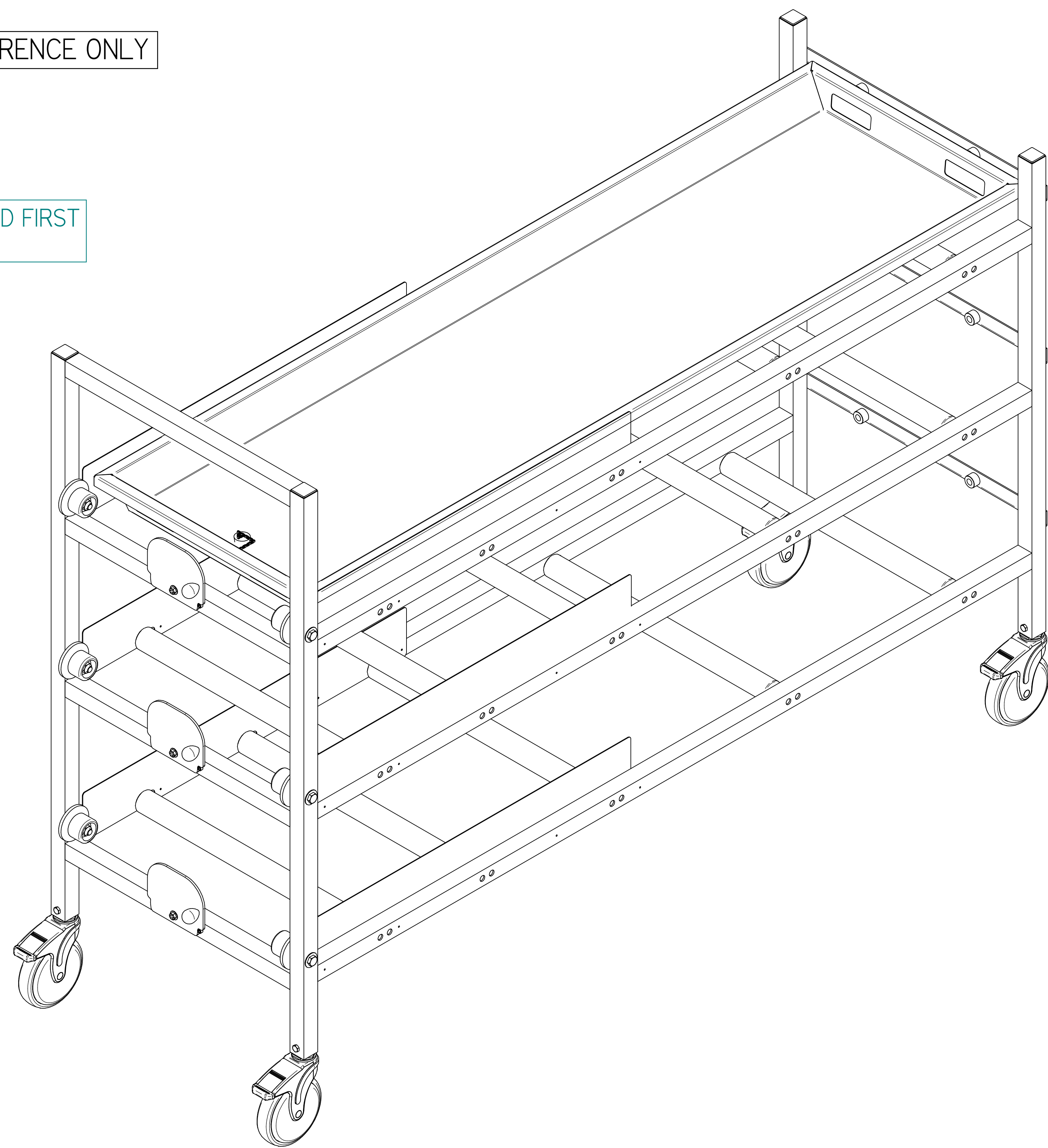


I 2 3 4 5 6 7 8 9 10 11

REV	DESCRIPTION	DATE	ECN #	APPR
A	INITIAL RELEASE	00-XXX-19	XXXXX	MM

TRAYS ARE FOR REFERENCE ONLY

NOTE: TRAYS WITH DRAIN PLUGS MUST BE LOADED HEAD FIRST (DRAIN PLUG NEAREST FRONT OF RACK)



A
B
C
D
E
F
G
H

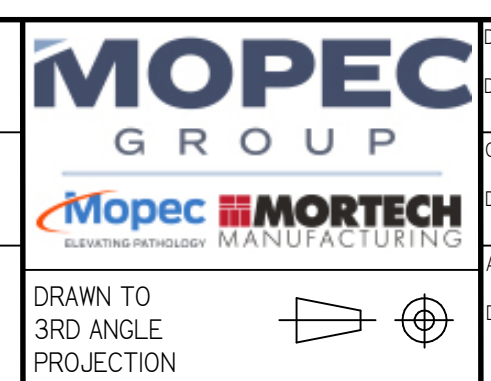
A
B
C
D
E
F
G
H

APPROVED BY: _____ DATE: _____
 AS SHOWN (PROCEED WITH FABRICATION)
 AS NOTED (TO BE RESUBMITTED FOR FINAL APPROVAL)

MOPEC LEGAL NOTE
 THIS DOCUMENT CONTAINS PROPRIETARY INFORMATION OF MOPEC, AND MAY NOT BE COPIED IN WHOLE OR PART, AND NO USE SHALL BE MADE OF IT OTHER THAN FOR WHICH IT HAS BEEN SUBMITTED WITHOUT THE WRITTEN PERMISSION OF A MOPEC MANAGER
 MOPEC 2023

UNLESS OTHERWISE SPECIFIED ALL DIMENSIONS IN INCHES
 TOLERANCES
 0.0 ± 0.1 in
 0.00 ± 0.05 in
 0.000 ± 0.010 in
 0.0000 ± 0.0010 in
 ANGLES ± 0.5°
 BREAK ALL CORNERS 0.063 X 45°
 ALL FILLET RADII R0.063 (0.125in)
 INSPECT OVAL DIMENSIONS

CUSTOMER NAME
 Error: No reference
 CITY, STATE
 Error: No reference
 PROJECT #
 Error: No reference



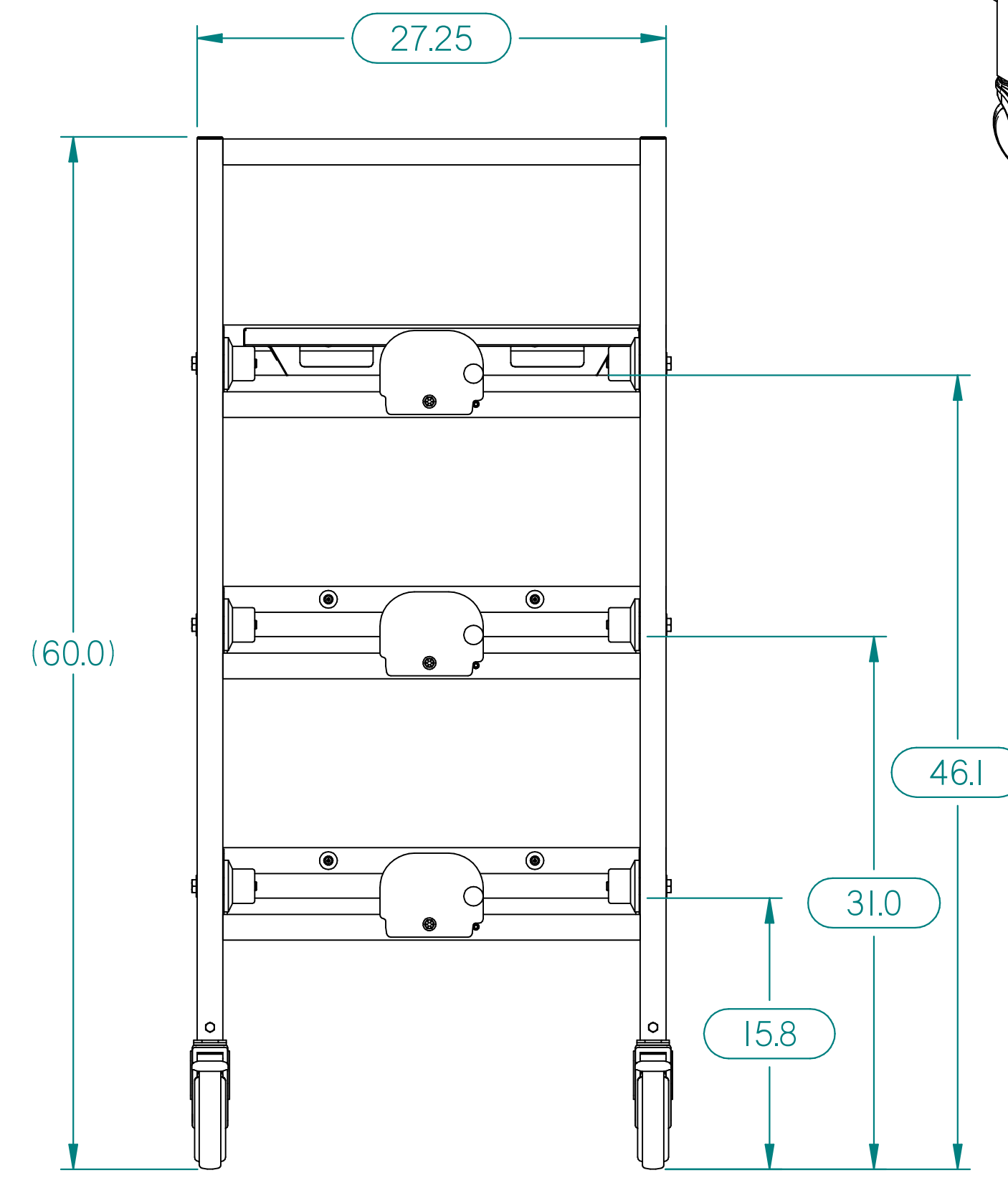
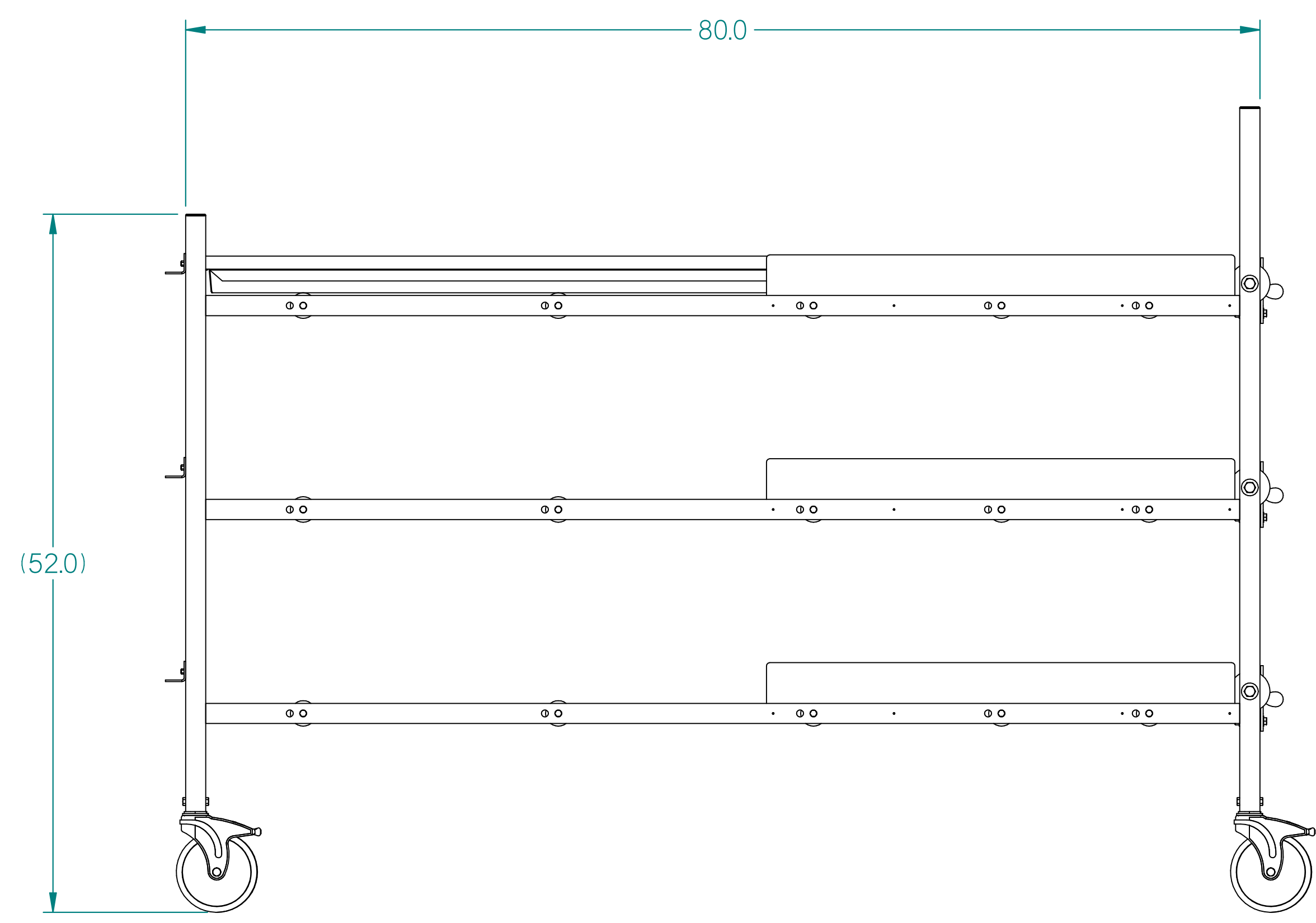
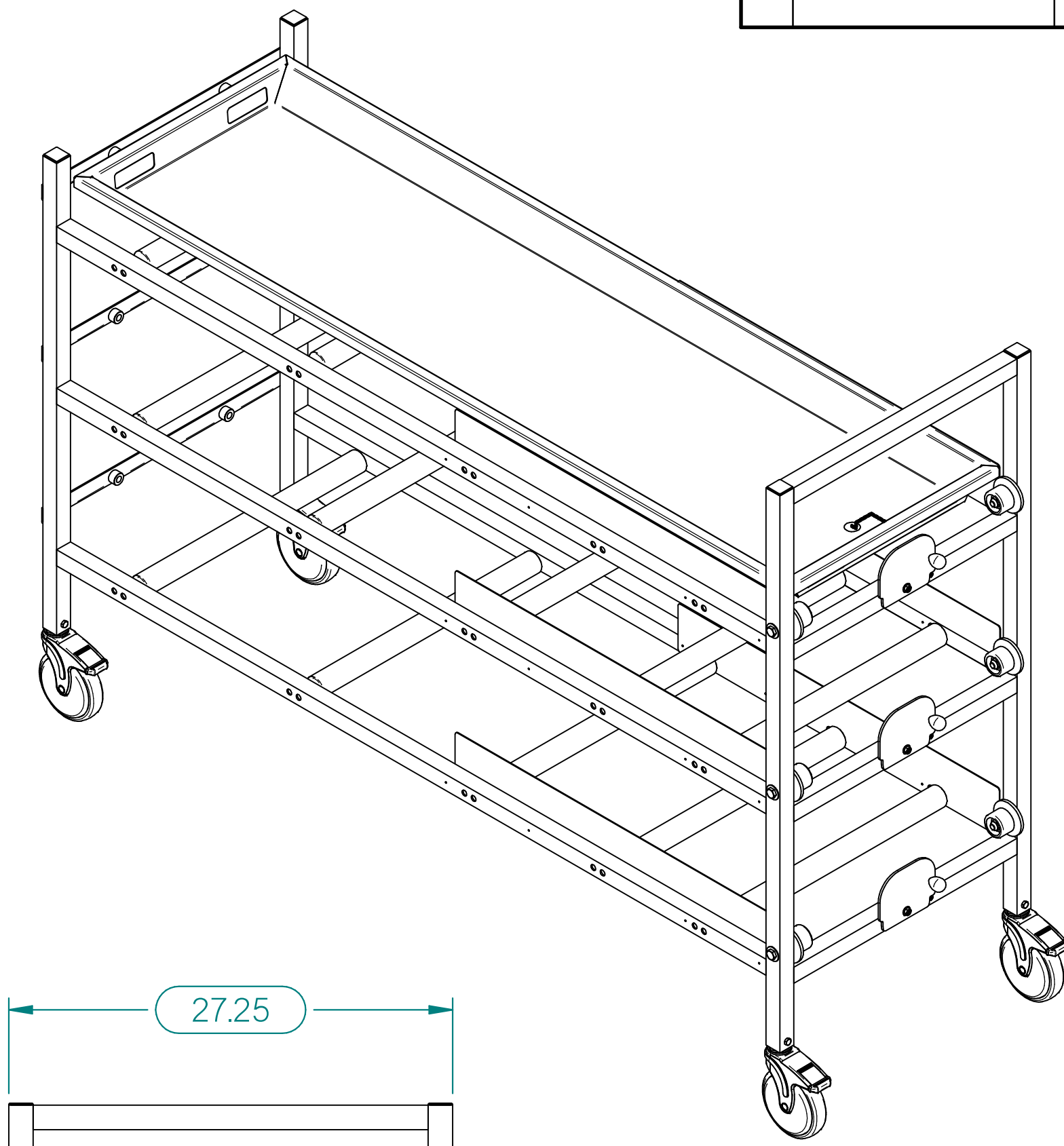
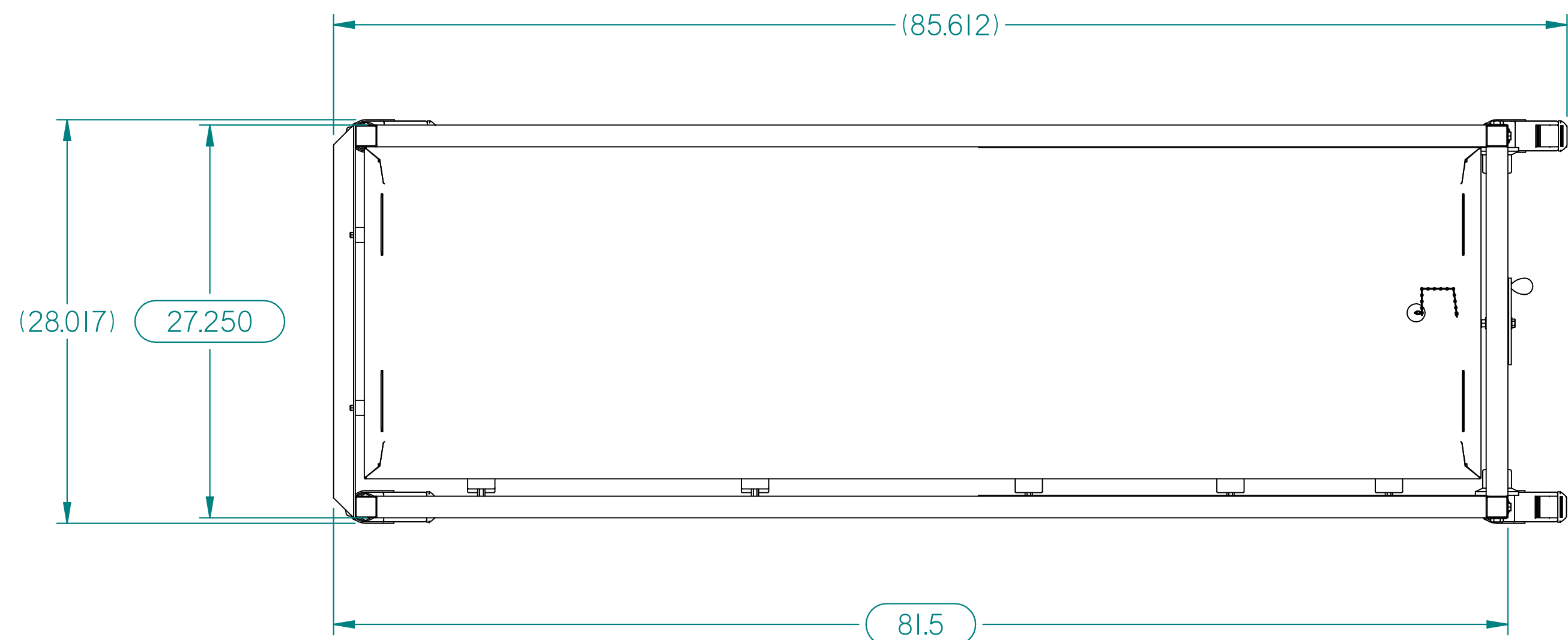
DRAWN BY: jrudolph
 DATE: 6/19/2024
 CHECKED BY: _____
 DATE: 6/19/2024
 APPROVED BY: MMcCLAIN
 DATE: 6/19/2024

PRODUCT NAME: IF23 301-C
 DESCRIPTION: 23" X 3 X 01 - ROLLER RACK - MOBILE
 SIZE: A2
 DRAWING NUMBER: IF23 301-C APPROVAL.dft
 SCALE: 1:2
 DO NOT SCALE IF IN DOUBT ASK
 SHEET 1 OF 2

I 2 3 4 5 6 7 8 9 10 11

IF23 301-C APPROVAL.dft

REV	DESCRIPTION	DATE	ECN #	APPR
A	INITIAL RELEASE	00-XXX-19	XXXXX	MM



APPROVED BY: _____ DATE: _____

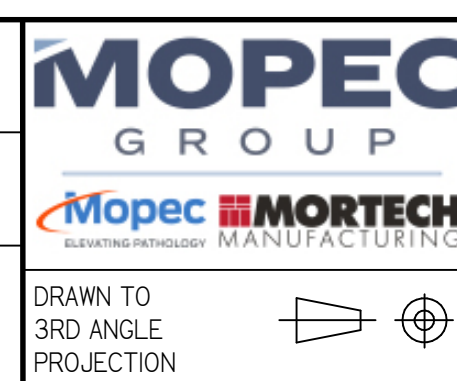
AS SHOWN
(PROCEED WITH FABRICATION)

AS NOTED
(TO BE RESUBMITTED FOR FINAL APPROVAL)

MOPEC LEGAL NOTE
 THIS DOCUMENT CONTAINS PROPRIETARY INFORMATION OF MOPEC, AND NO USE SHALL BE MADE OF IT OTHER THAN FOR WHICH IT HAS BEEN SUBMITTED WITHOUT THE WRITTEN PERMISSION OF A MOPEC MANAGER.
 MOPEC 2023

UNLESS OTHERWISE SPECIFIED ALL DIMENSIONS IN INCHES
 TOLERANCES
 0.0 ± 0.1 in
 0.00 ± 0.05 in
 0.000 ± 0.010 in
 0.0000 ± 0.0010 in
 ANGLES ± 0.5°
 BREAK ALL CORNERS 0.063 X 45°
 ALL FILLET RADII R0.063 (0.125in)
 INSPECT OVAL DIMENSIONS

CUSTOMER NAME
 CITY, STATE
 Error: No reference
 PROJECT #
 Error: No reference



DRAWN BY: jrudolph
 DATE: 6/19/2024
 CHECKED BY:
 DATE: 6/19/2024
 APPROVED BY: MMcCLAIN
 DATE: 6/19/2024

PRODUCT NAME: IF23 301-C
 DESCRIPTION: 23" X 3 X 01 - ROLLER RACK - MOBILE
 SIZE: A2
 DRAWING NUMBER: IF23 301-C APPROVAL.dft
 SCALE: 1:1
 DO NOT SCALE IF IN DOUBT ASK
 SHEET 2 OF 2

IF23 301-C APPROVAL.dft