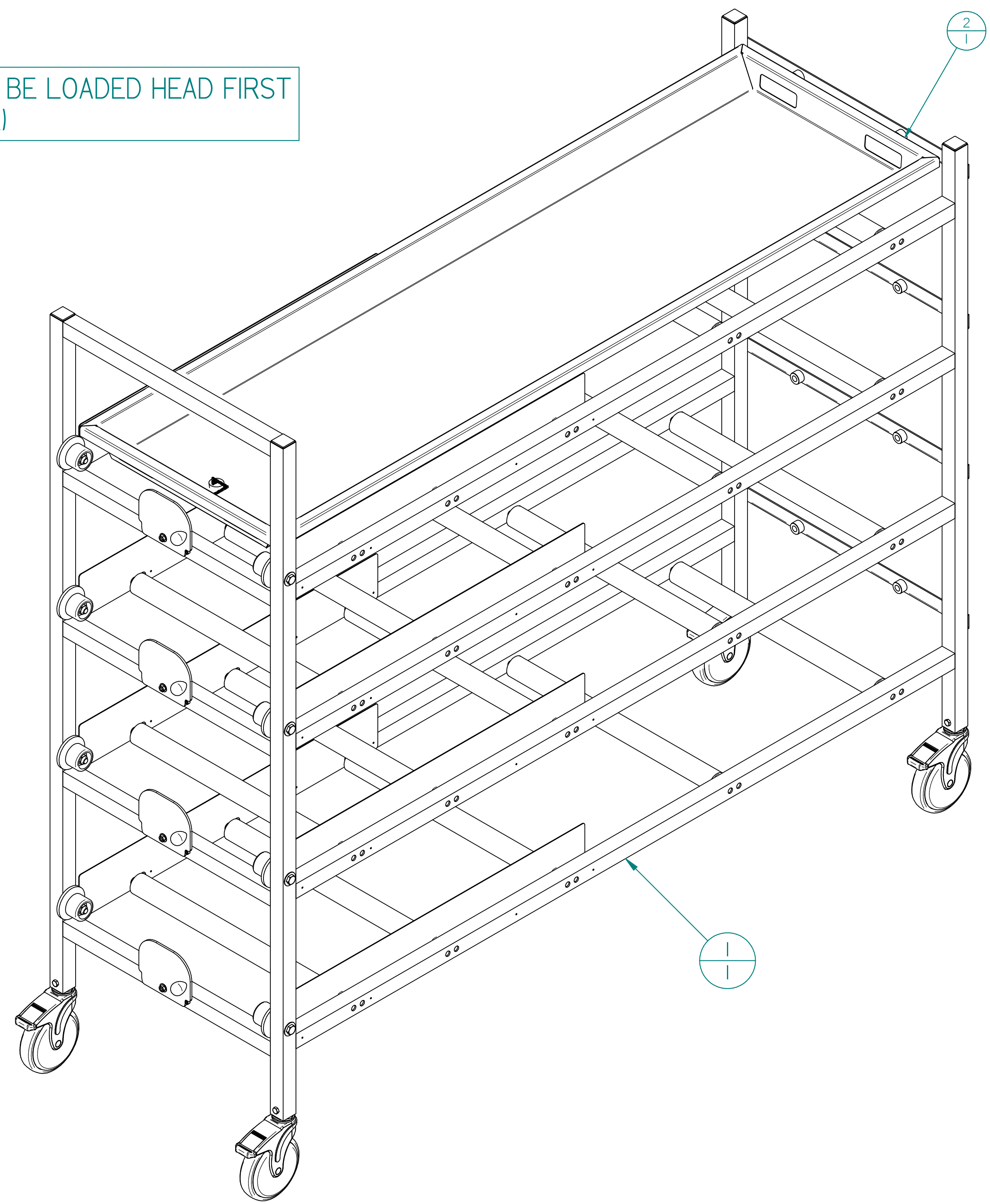


I 2 3 4 5 6 7 8 9 10 11

REV	DESCRIPTION	DATE	APPR
A	INITIAL RELEASE	4-13-15	MC
B	REMOVED TRAYS	10-23-18	MM

TRAYS ARE FOR REFERENCE ONLY

NOTE: TRAYS WITH DRAIN PLUGS MUST BE LOADED HEAD FIRST (DRAIN PLUG NEAREST FRONT OF RACK)



A  
B  
C  
D  
E  
F  
G  
H

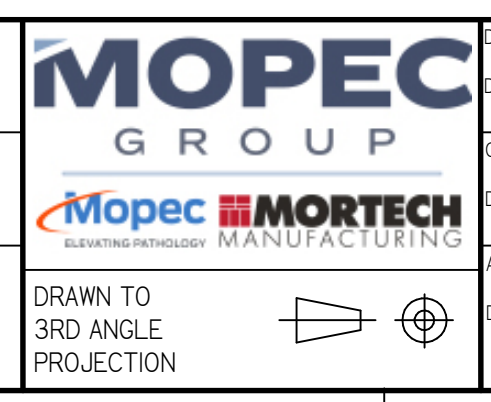
A  
B  
C  
D  
E  
F  
G  
H

Item Number	Quantity	File Name	Title	Material
1	1	S0229-D.asm	23 X 4 X 01 - IF RACK - ASSY	
2	1	JC023D.asm	BODY TRAY, 23X77, DRAIN HOLE	

THIS DOCUMENT CONTAINS PROPRIETARY INFORMATION OF MOPEC, AND NO USE SHALL BE MADE OF IT OTHER THAN FOR WHICH IT HAS BEEN SUBMITTED WITHOUT THE WRITTEN PERMISSION OF A MOPEC MANAGER  
MOPEC 2018

UNLESS OTHERWISE SPECIFIED ALL DIMENSIONS IN INCHES  
TOLERANCES  
0.0 ± 0.2 in  
0.00 ± 0.10 in  
0.000 ± 0.005 in  
0.0000 ± 0.0005 in  
ANGLES ± 0.5°  
BREAK ALL CORNERS 0.063 X 45°  
ALL FILLET RADII R0.063 (0.125in)  
INSPECT OVAL DIMENSIONS

MATERIAL  
SEE BILL OF MATERIALS  
MATERIAL USAGE  
---  
FINISH  
---



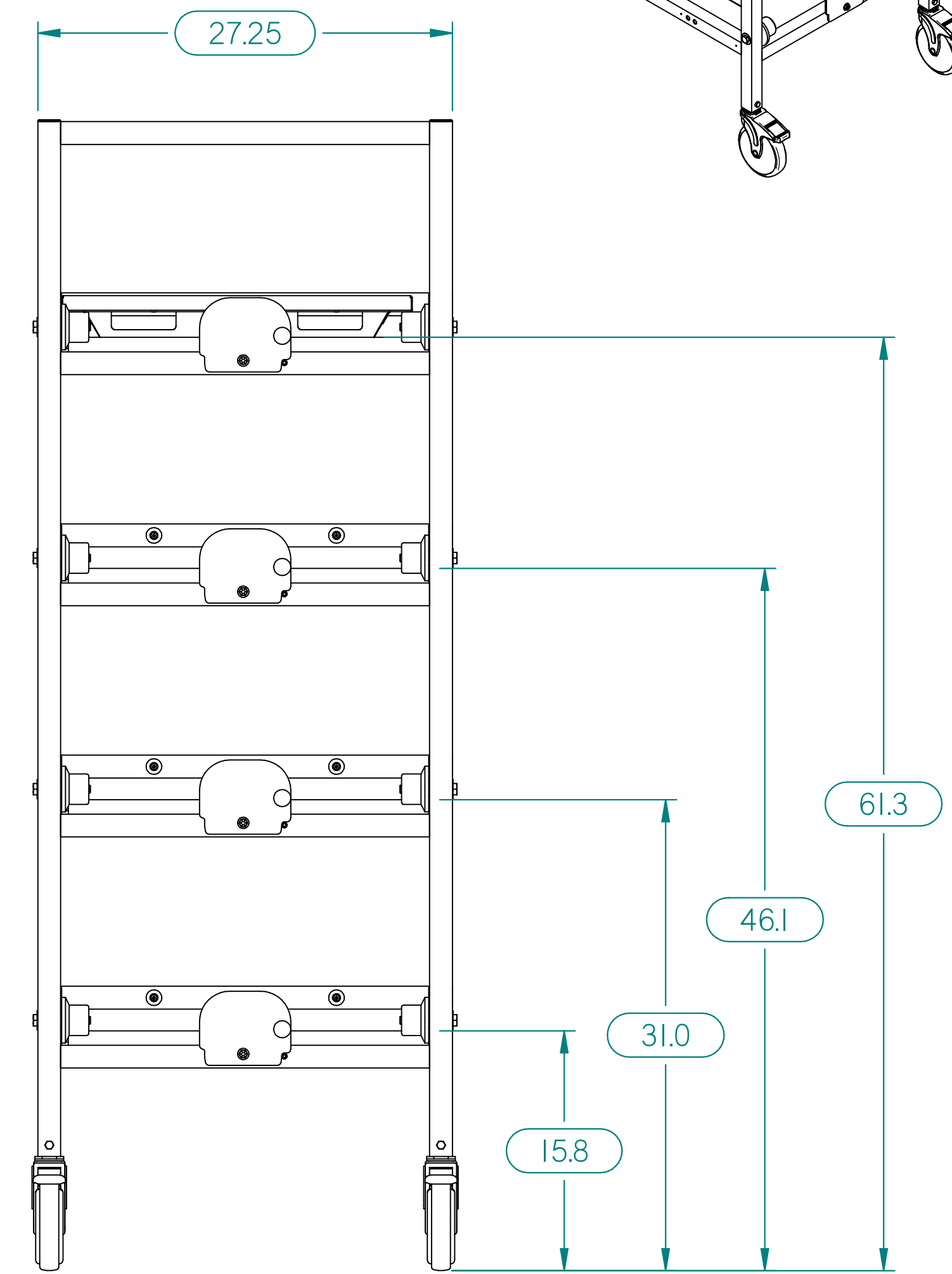
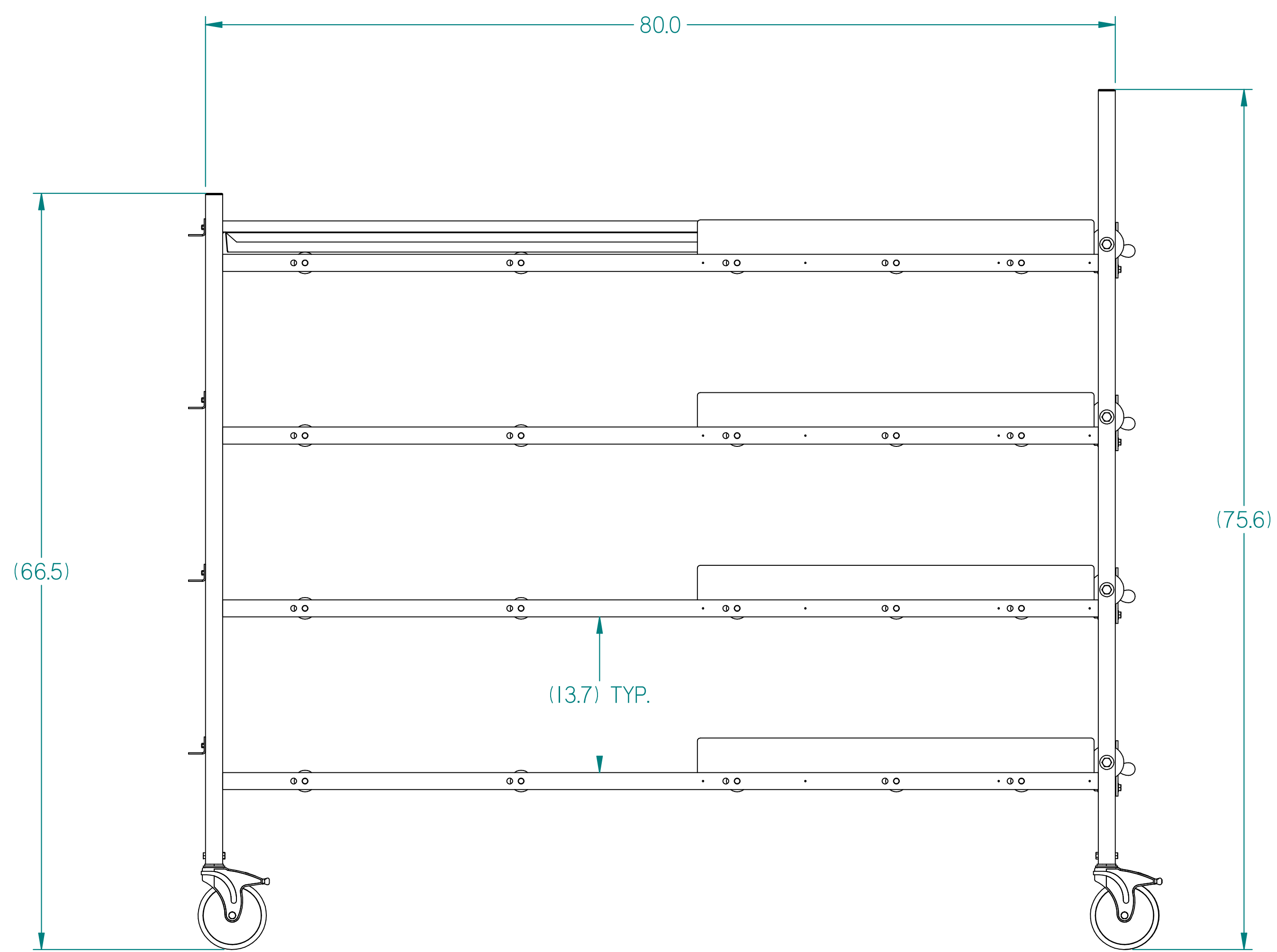
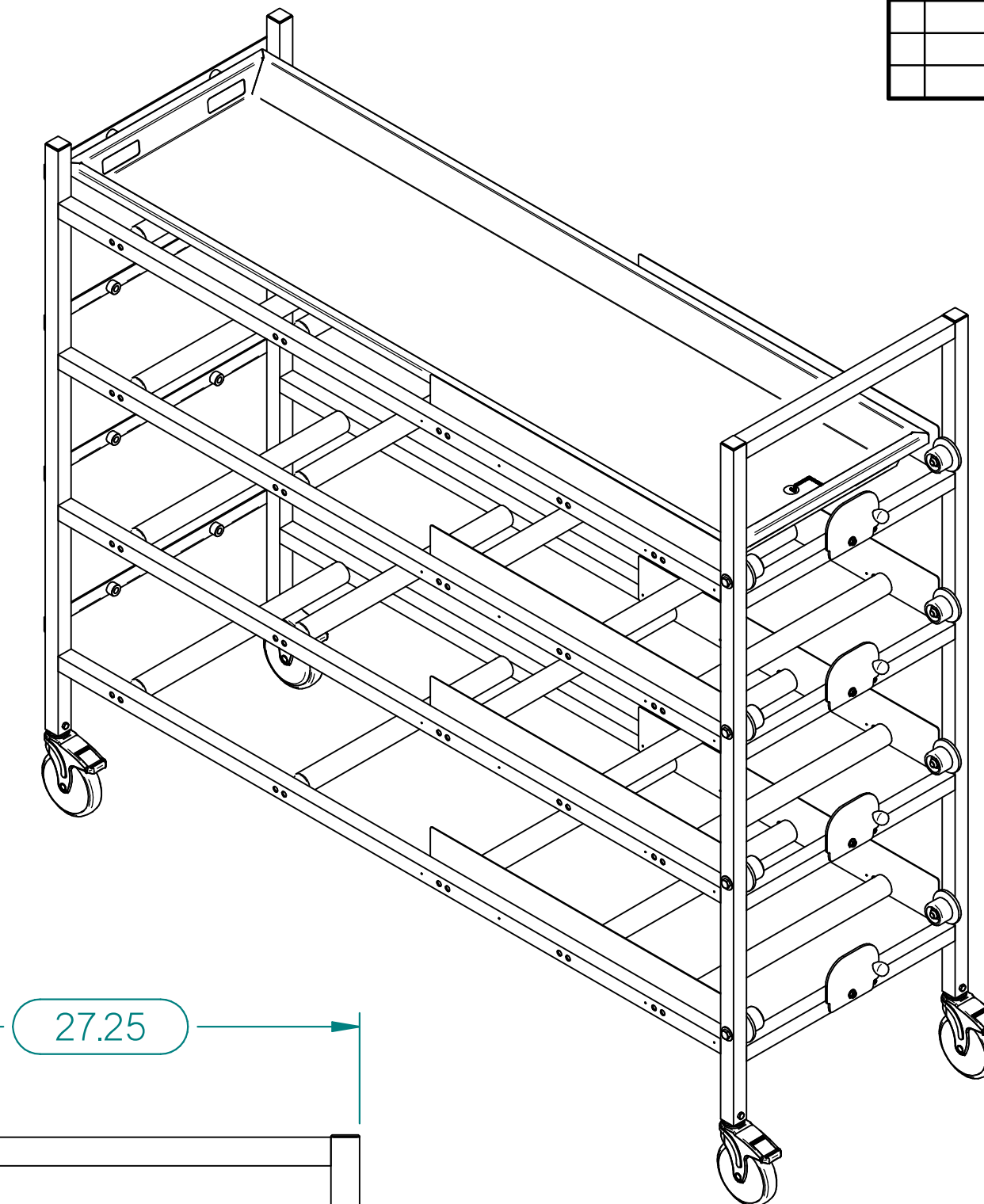
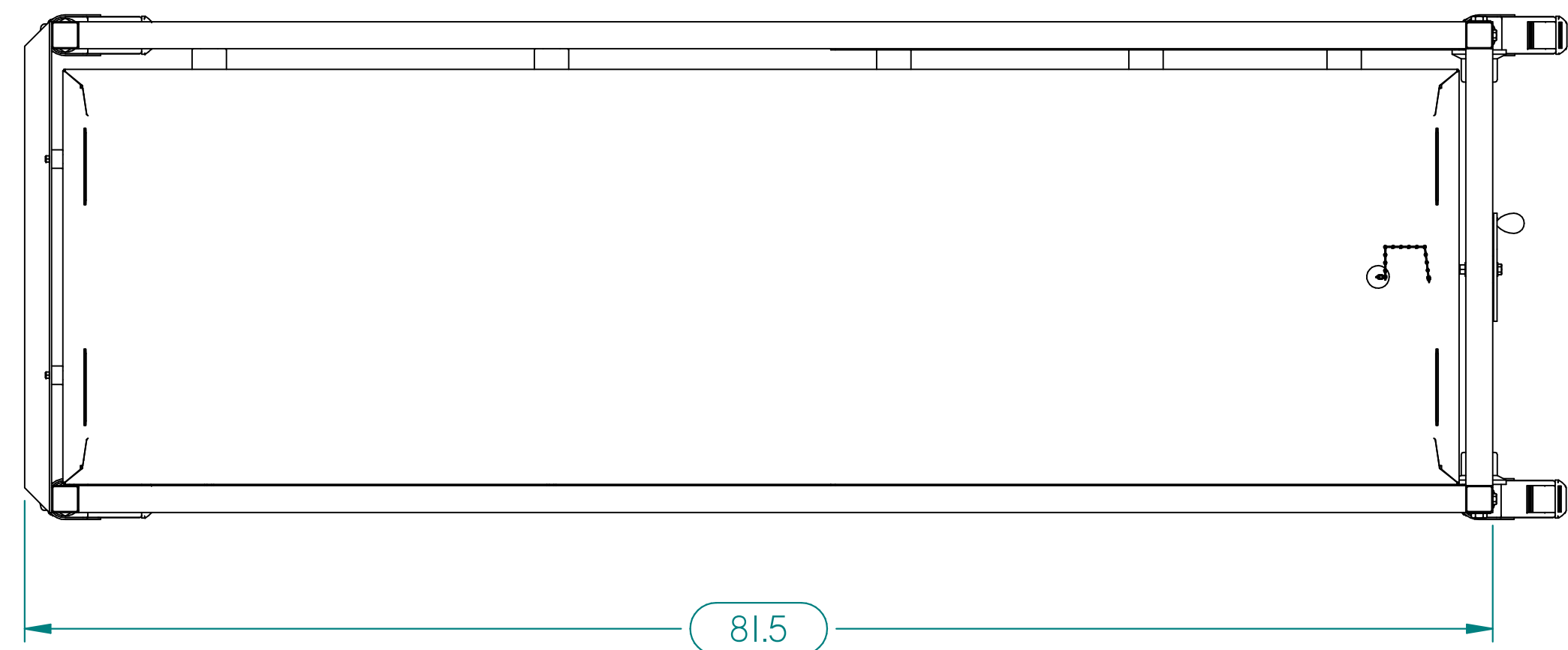
DRAWN BY: jrudolph  
DATE: 10/7/2022  
CHECKED BY:  
DATE: 10/7/2022  
APPROVED BY: MMcCLAIN  
DATE: 10/7/2022

PART NUMBER: IF23 401-C  
DESCRIPTION: 23" X 4 X 01 - ROLLER RACK - MOBILE  
SIZE: A2  
FILE NAME: IF23 401-C.dft  
SCALE: 1:20  
DO NOT SCALE IF IN DOUBT ASK  
SHEET 1 OF 2

\*IF23 401-C.dft\*

I 2 3 4 5 6 7 8 9 10 11

REV	DESCRIPTION	DATE	APPR
A	INITIAL RELEASE	4-13-15	MC
B	REMOVED TRAYS	10-23-18	MM



<p>THIS DOCUMENT CONTAINS PROPRIETARY INFORMATION OF MOPEC, AND MAY NOT BE COPIED IN WHOLE OR PART, AND NO USE SHALL BE MADE OF IT OTHER THAN FOR WHICH IT HAS BEEN SUBMITTED WITHOUT THE WRITTEN PERMISSION OF A MOPEC MANAGER</p> <p>MOPEC 2018</p>	<p>UNLESS OTHERWISE SPECIFIED ALL DIMENSIONS IN INCHES</p> <p>TOLERANCES</p> <table border="0"> <tr> <td>0.0</td> <td>± 0.2 in</td> </tr> <tr> <td>0.00</td> <td>± 0.10 in</td> </tr> <tr> <td>0.000</td> <td>± 0.005 in</td> </tr> <tr> <td>0.0000</td> <td>± 0.0005 in</td> </tr> <tr> <td>ANGLES</td> <td>± 0.5°</td> </tr> </table> <p>BREAK ALL CORNERS 0.063 X 45° ALL FILLET RADII R0.063 (0.125in) INSPECT OVAL DIMENSIONS</p>	0.0	± 0.2 in	0.00	± 0.10 in	0.000	± 0.005 in	0.0000	± 0.0005 in	ANGLES	± 0.5°	<p>MATERIAL</p> <p>SEE BILL OF MATERIALS</p> <p>MATERIAL USAGE</p> <p>---</p> <p>FINISH</p> <p>---</p>	<p><b>MOPEC GROUP</b></p> <p><b>Mopec MORTECH</b> <small>Manufacturing Technology</small></p> <p>DRAWN TO 3RD ANGLE PROJECTION</p>	<p>DRAWN BY: jrudolph DATE: 10/7/2022</p> <p>CHECKED BY: --- DATE: 10/7/2022</p> <p>APPROVED BY: MMcCLAIN DATE: 10/7/2022</p>	<p>PART NUMBER: IF23 401-C</p> <p>DESCRIPTION: 23" X 4 X 01 - ROLLER RACK - MOBILE</p> <p>SIZE: A2</p> <p>SCALE: 1:1</p> <p>FILE NAME: IF23 401-C.dft</p> <p>REV: C</p>	<p>DO NOT SCALE IF IN DOUBT ASK</p> <p>SHEET 2 OF 2</p>
	0.0	± 0.2 in														
0.00	± 0.10 in															
0.000	± 0.005 in															
0.0000	± 0.0005 in															
ANGLES	± 0.5°															
<p>UNLESS OTHERWISE SPECIFIED ALL DIMENSIONS IN INCHES</p>																

\*IF23 401-C.dft\*