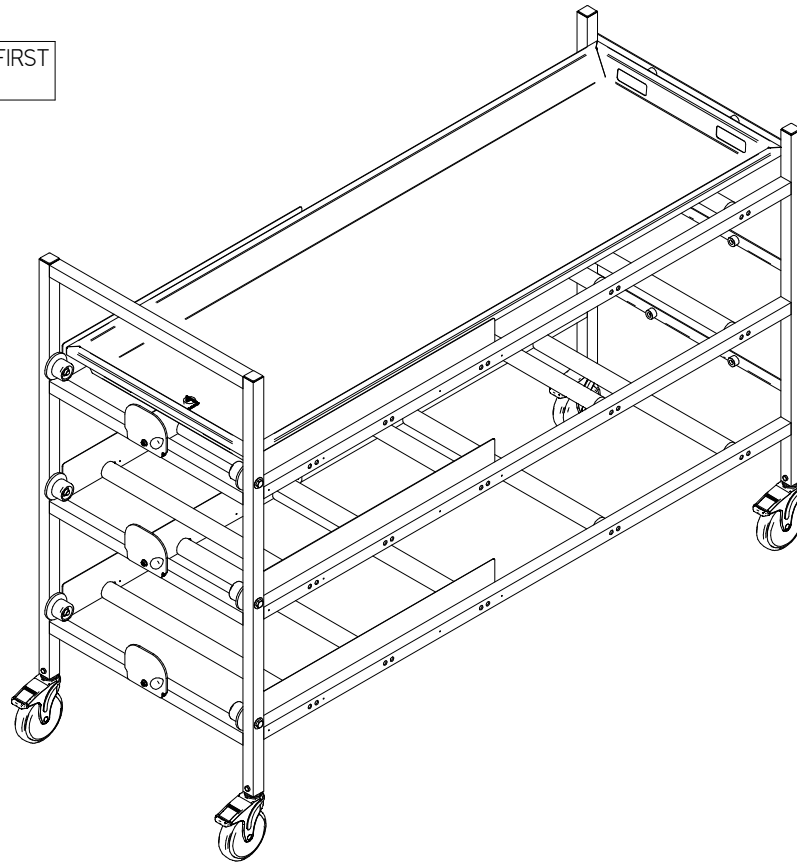


REV	DESCRIPTION	DATE	BY	APP
A	INITIAL RELEASE	00-XXX-19	XXXXX	MM
C	UPDATED DRAFT	00-XXX-21	XXXXX	MM

NOTE: TRAYS WITH DRAIN PLUGS MUST BE LOADED HEAD FIRST (DRAIN PLUG NEAREST FRONT OF RACK)

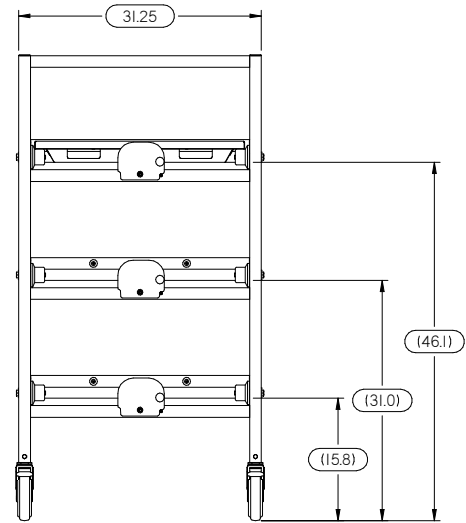
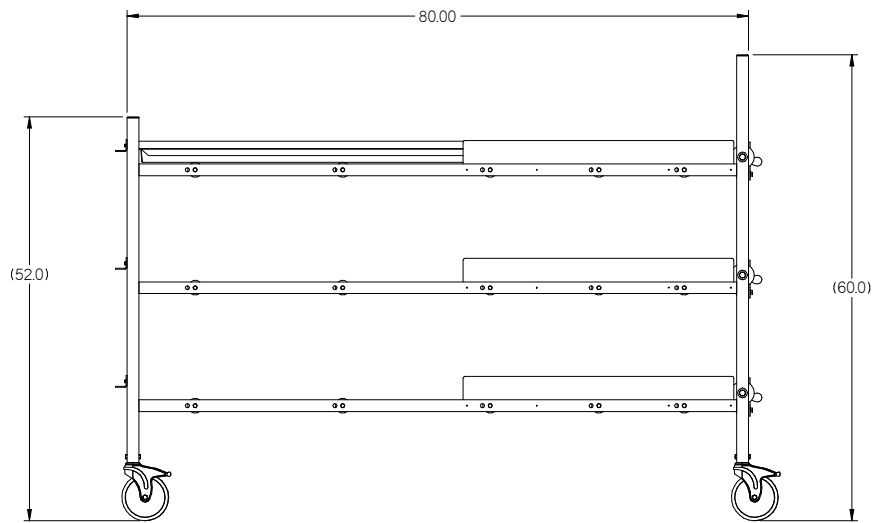
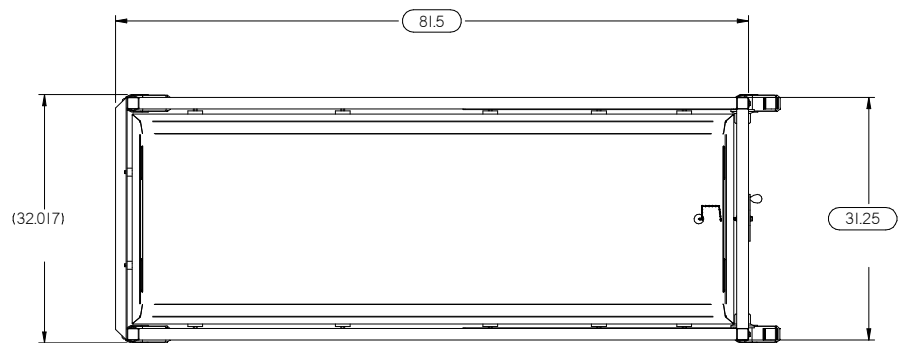
TRAY SHOWN FOR REFERENCE ONLY



THIS DOCUMENT CONTAINS PROPRIETARY INFORMATION OF MOPEC, AND MAY NOT BE COPIED IN WHOLE OR PART, AND NO USE SHALL BE MADE OF IT OTHER THAN FOR WHICH IT HAS BEEN SUBMITTED WITHOUT THE WRITTEN PERMISSION OF A MOPEC MANAGER  MOPEC 2020	UNLESS OTHERWISE SPECIFIED ALL DIMENSIONS IN INCHES TOLERANCES .00 ± .01 in .000 ± 0.05 in 0.000 ± 0.000 in 0.0000 ± 0.0010 in ANGLES ±.05° BREAK ALL CORNERS .0063 X 45° ALL FILLET RADI R0.063 (0.125 in) INSPECT OVAL DIMENSIONS	MATERIAL:  MATERIAL USAGE: Error: No reference  FINISH: Error: No reference	  DRAWN TO STD ANGLE PROJECTION	DRAWN BY: Jtudolph DATE: 10/27/2022 CHECKED BY: --- DATE: 10/27/2022 APPROVED BY: --- DATE: MMCCCLAIN 10/27/2022	PART NUMBER: IF27 301-D DESCRIPTION: 27 X 3 X 01 - IF RACK - ASSY SIZE: A2 FILE NAME: IF27 301-D.dft SCALE: 1:8 DO NOT SCALE IF IN DOUBT ASK	SHEET 1 OF 2
				DRAWN TO STD ANGLE PROJECTION	SHEET 1 OF 2	



REV	DESCRIPTION	DATE	BY	APP
A	INITIAL RELEASE	00-XXX-19	XXXXX	MM
C	UPDATED DRAFT	00-XXX-21	XXXXX	MM



THIS DOCUMENT CONTAINS PROPRIETARY INFORMATION OF MOPEC, AND MAY NOT BE COPIED IN WHOLE OR PART, AND NO USE SHALL BE MADE OF IT OTHER THAN FOR WHICH IT HAS BEEN SUBMITTED WITHOUT THE WRITTEN PERMISSION OF A MOPEC MANAGER

MOPEC 2020

UNLESS OTHERWISE SPECIFIED ALL DIMENSIONS IN INCHES

TOLERANCES

0.0	+ 0.1 in
0.00	+ 0.05 in
0.000	+ 0.010 in
0.0000	+ 0.0010 in

ANGLES ±0.5°

BREAK ALL CORNERS 0.063 X 45°

ALL FILLET RADI R0.063 (0.125R)

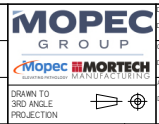
INSPECT OVAL DIMENSIONS

MATERIAL

Error: No reference

FINISH

Error: No reference



DRAWN BY: J. Rudolph

DATE: 10/27/2022

CHECKED BY:

DATE: 10/27/2022

APPROVED BY: M. McClain

DATE: 10/27/2022

PART NUMBER: IF27 301-D

DESCRIPTION: 27 X 3 X 01 - IF RACK - ASSY

SIZE: A2

FILE NAME: IF27 301-D.dft

SCALE: 1:1

DO NOT SCALE IF IN DOUBT ASK

SHEET 2 OF 2

