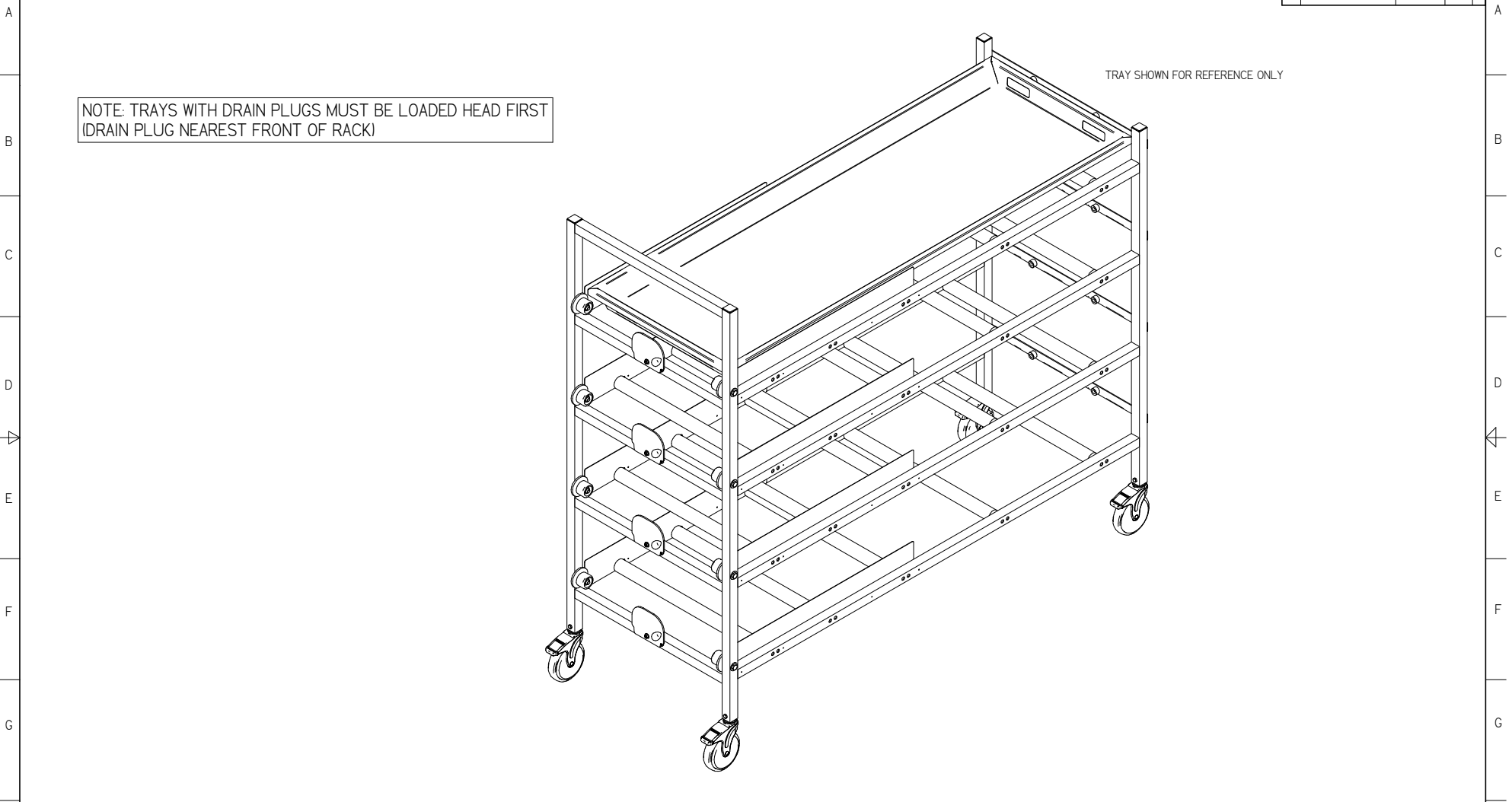


1 2 3 4 5 6 7 8 9 10 11

REV	DESCRIPTION	DATE	BY	APP
A	INITIAL RELEASE	00-XXX-19	XXXXX	MM
C	UPDATED	00-XXX-21	XXXXX	MM



NOTE: TRAYS WITH DRAIN PLUGS MUST BE LOADED HEAD FIRST (DRAIN PLUG NEAREST FRONT OF RACK)

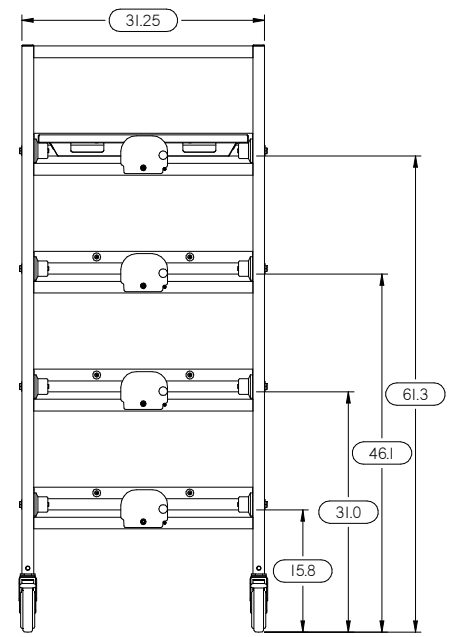
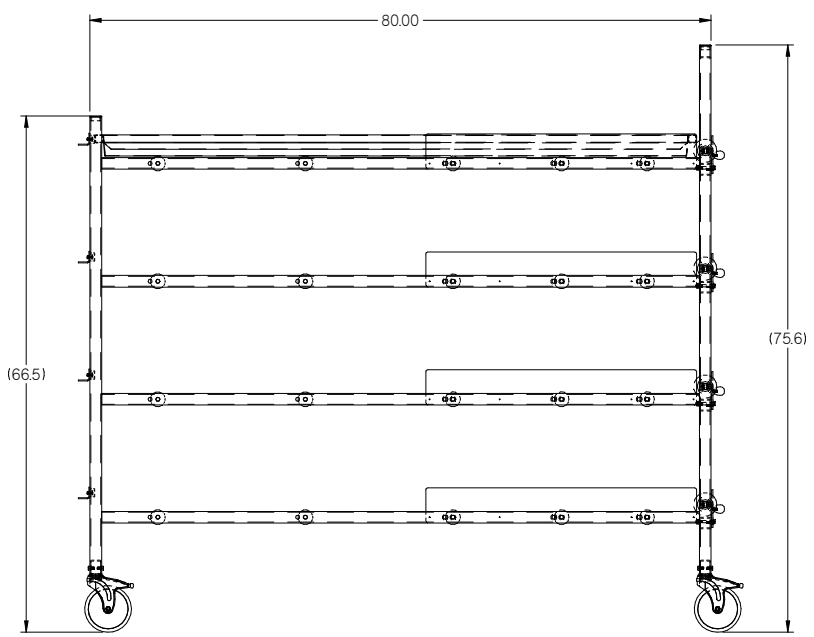
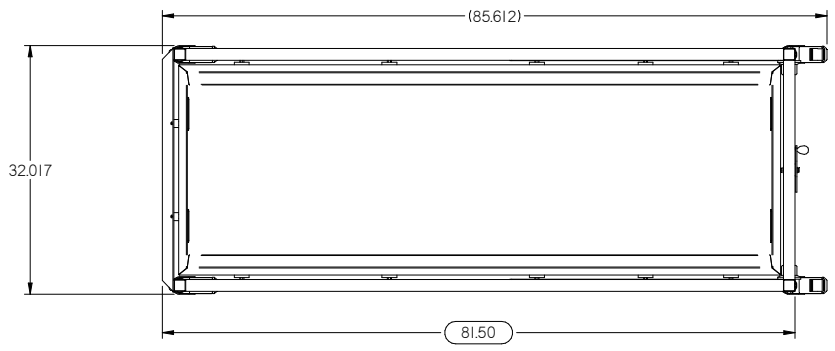
TRAY SHOWN FOR REFERENCE ONLY

THIS DOCUMENT CONTAINS PROPRIETARY INFORMATION OF MOPEC, AND MAY NOT BE COPIED IN WHOLE OR PART, AND NO USE SHALL BE MADE OF IT OTHER THAN FOR WHICH IT HAS BEEN SUBMITTED WITHOUT THE WRITTEN PERMISSION OF A MOPEC MANAGER MOPEC 2021	UNLESS OTHERWISE SPECIFIED ALL DIMENSIONS IN INCHES TOLERANCES: .02 ± 0.1 in .000 ± 0.05 in .0000 ± 0.001 in .00000 ± 0.0010 in ANGLES: ±5° BREAK ALL CORNERS: 0.063 X 45° ALL FILLET RADI: R0.063 (0.125 in) INSPECT OVAL DIMENSIONS	MATERIAL: Error: No reference FINISH: Error: No reference		DRAWN BY: J. Rudolph DATE: 10/31/2022 CHECKED BY: --- DATE: 10/31/2022 APPROVED BY: --- DATE: MMCCCLAIN 10/31/2022	PART NUMBER: IF27 401-D DESCRIPTION: 27 X 4 X 01 - IF RACK - ASSY SIZE: A2 FILE NAME: IF27 401-D.dft SCALE: 4:1 DO NOT SCALE IF IN DOUBT ASK	SHEET 1 OF 2
	MOPEC 2021	Error: No reference		DRAWN TO: 3RD ANGLE PROJECTION	SHEET: D	SHEET 1 OF 2

1 2 3 4 7 8 9 10 11



REV	DESCRIPTION	DATE	BY	APP
A	INITIAL RELEASE	00-XXX-19	XXXXX	MM
C	UPDATED	00-XXX-21	XXXXX	MM



THIS DOCUMENT CONTAINS PROPRIETARY INFORMATION OF MOPEC, AND MAY NOT BE COPIED IN WHOLE OR PART, AND NO USE SHALL BE MADE OF IT OTHER THAN FOR WHICH IT HAS BEEN SUBMITTED WITHOUT THE WRITTEN PERMISSION OF A MOPEC MANAGER MOPEC 2021	UNLESS OTHERWISE SPECIFIED ALL DIMENSIONS IN INCHES TOLERANCES 0.0 ± 0.1 in 0.00 ± 0.05 in 0.000 ± 0.001 in 0.0000 ± 0.0010 in ANGLES ± 0.5° BREAK ALL CORNERS 0.063 X 45° ALL FILLET RADIUS R0.063 (0.125 in) INSPECT OVAL DIMENSIONS	MATERIAL: Error: No reference FINISH: Error: No reference	<b>MOPEC GROUP</b> <small>MANUFACTURING</small> <b>MOPEC MORTTECH</b> <small>MANUFACTURING</small>	DRAWN BY: Jtudolph DATE: 10/31/2022 CHECKED BY: --- DATE: 10/31/2022 APPROVED BY: --- DATE: MMCLAIN 10/31/2022	PART NUMBER: IF27 401-D DESCRIPTION: 27 X 4 X 01 - IF RACK - ASSY SIZE: A2 FILE NAME: IF27 401-D.dft SCALE: 1:1 DO NOT SCALE IF IN DOUBT ASK	SHEET 2 OF 2
	MOPEC 2021		DRAWN TO 3RD ANGLE PROJECTION		REF: D	

