

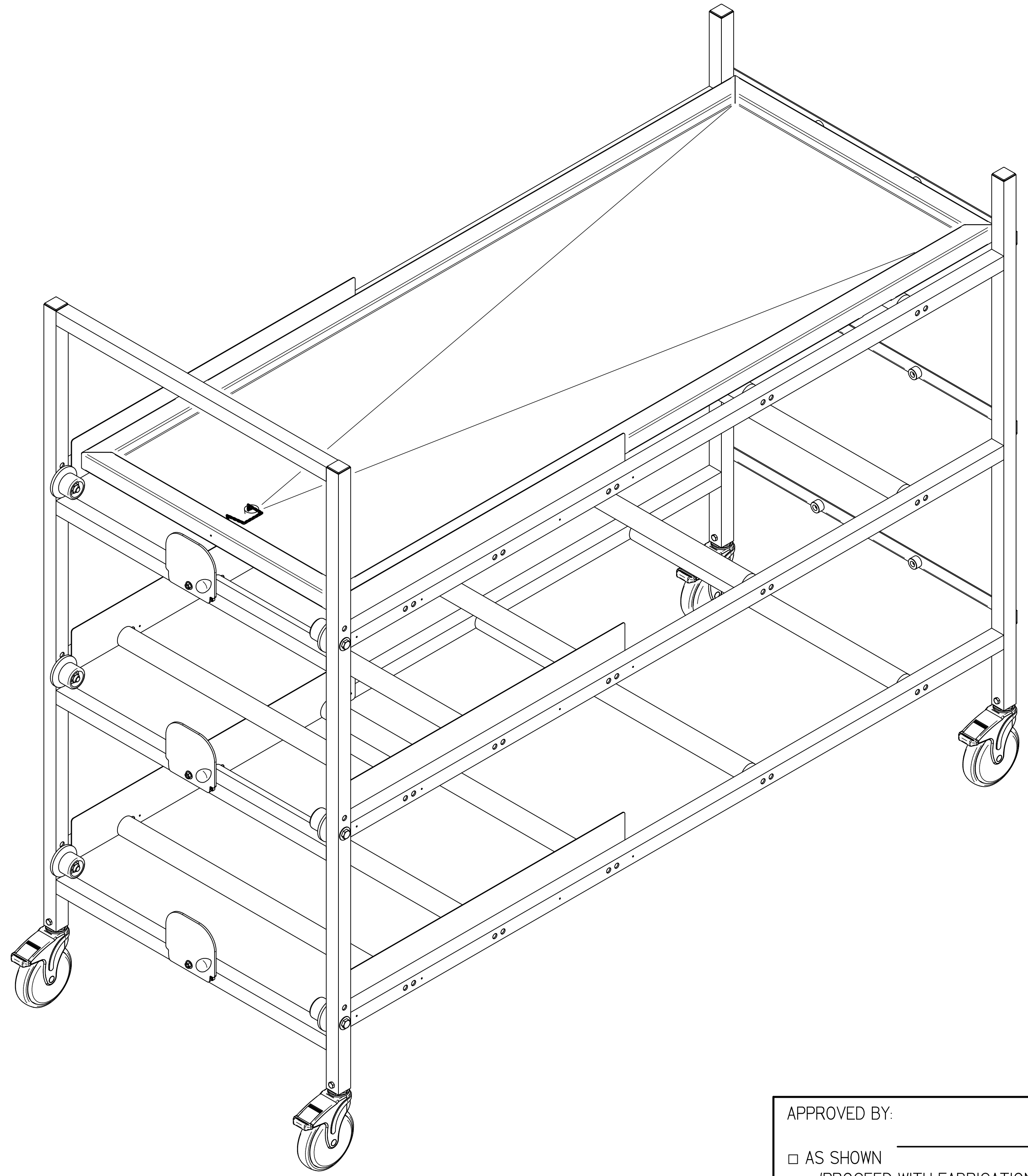
1 2 3 4 5 6 7 8 9 10 11

| REV | DESCRIPTION | DATE | ECN # | APPR |
|-----|-----------------|-----------|-------|------|
| A | INITIAL RELEASE | 00-XXX-19 | XXXXX | MM |
| | | | | |
| | | | | |
| | | | | |

TRAY SHOWN FOR REFERENCE ONLY

NOTE: TRAYS WITH DRAIN PLUGS MUST BE LOADED HEAD FIRST (DRAIN PLUG NEAREST FRONT OF RACK)

****RACKS ARE ONLY MEANT TO BE MOVED WHEN EMPTY, FOR CLEANING PURPOSES. DO NOT MOVE RACKS WHEN LOADED, DOING SO WILL VOID YOUR WARRANTY****



APPROVED BY: _____ DATE: _____

AS SHOWN (PROCEED WITH FABRICATION)

AS NOTED (TO BE RESUBMITTED FOR FINAL APPROVAL)

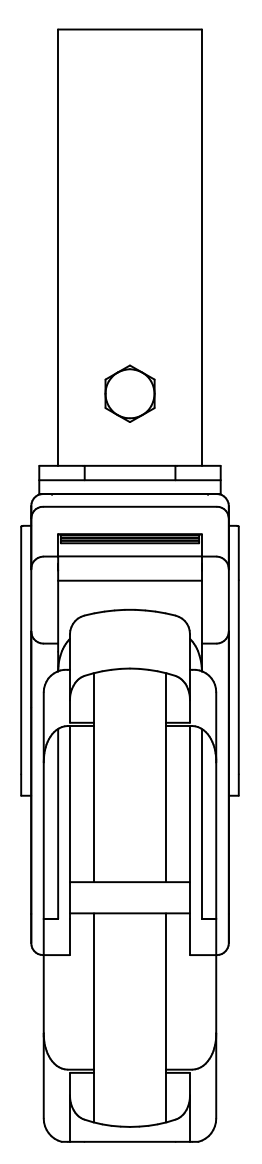
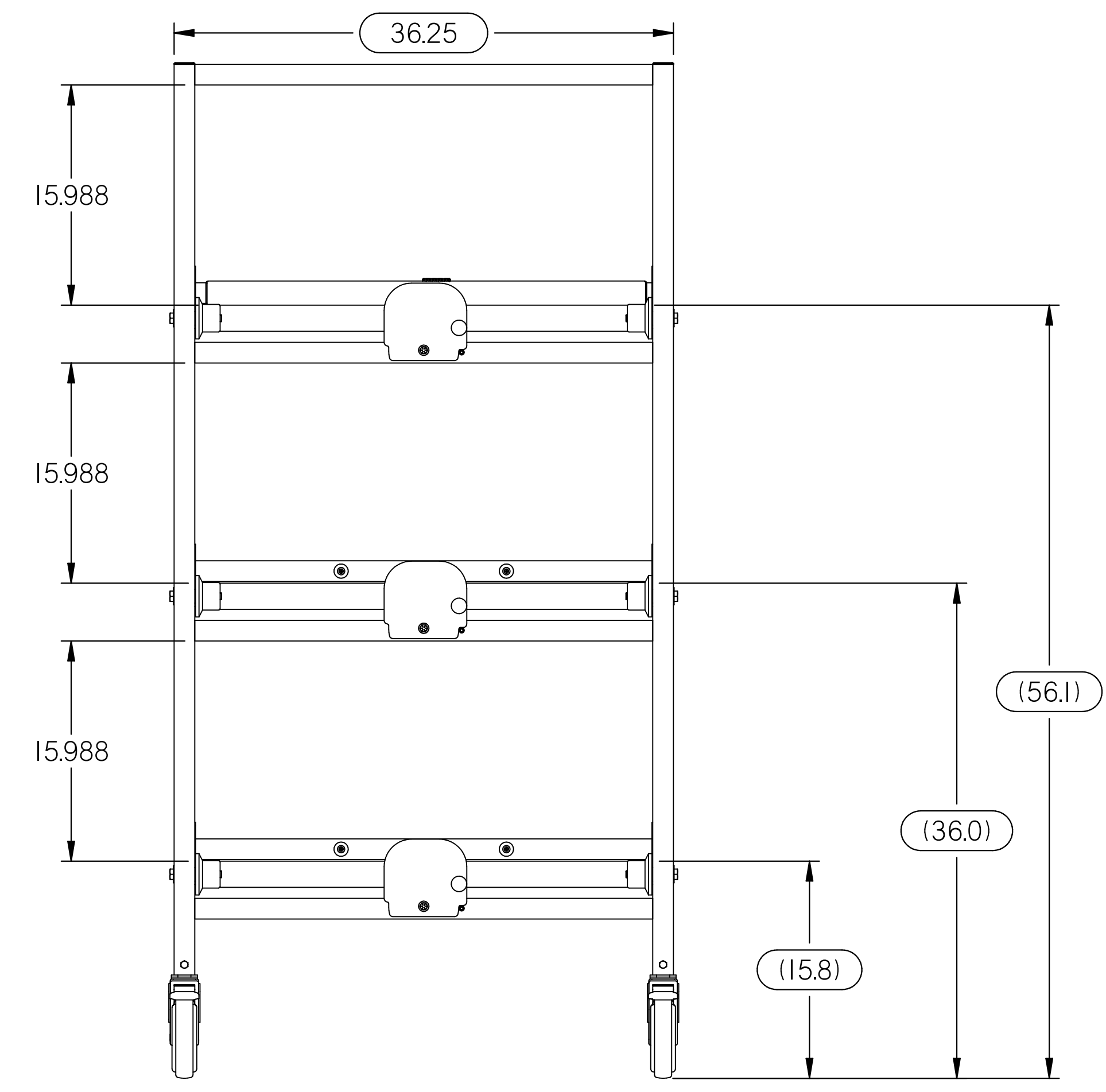
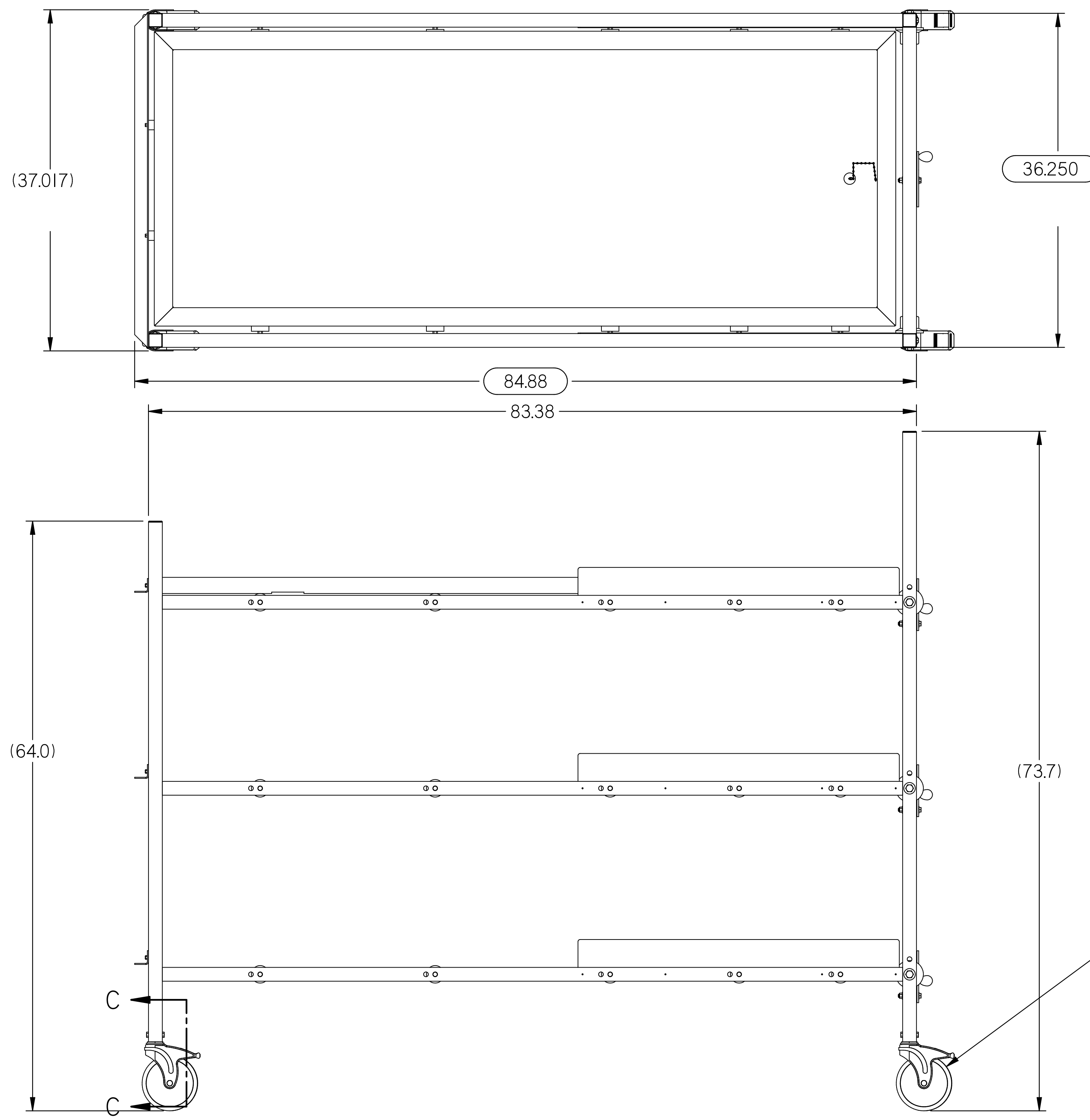
| | | | | | |
|---|--|------------------------------------|---------------------------------------|---------------------------------------|---|
| MOPEC LEGAL NOTE THE DRAWING, DESIGN AND INFORMATION PROVIDED IS INTENDED TO BE USED SOLELY BY THE CUSTOMER AS A REFERENCE. UNAUTHORIZED DISCLOSURE TO THIRD PARTIES, USE, DUPLICATION, EDITING OR MODIFICATIONS, WITHOUT PRIOR WRITTEN PERMISSION FROM MOPEC INC, IS STRICTLY FORBIDDEN AND IS IN VIOLATION OF U.S. COPYRIGHT LAWS AND WILL BE SUBJECT TO CIVIL DAMAGES AND PROSECUTION. | UNLESS OTHERWISE SPECIFIED ALL DIMENSIONS IN INCHES TOLERANCES 0.0 ± 0.1 in 0.00 ± 0.05 in 0.000 ± 0.010 in 0.0000 ± 0.0010 in ANGLES ±0.5° BREAK ALL CORNERS 0.063 X 45° ALL FILLET RADII R0.063 (0.125in) INSPECT OVAL DIMENSIONS | CUSTOMER NAME | DRAWN TO 3RD ANGLE PROJECTION | DRAWN BY: jrudolph DATE: 9/18/2023 | PRODUCT NAME: IF32 301-D DESCRIPTION: 32 X 3 X 01 - IF RACK - ASSY |
| | | CITY, STATE Error: No reference | | PROJECT # Error: No reference | CHECKED BY: DATE: 9/18/2023 |

1 2 3 4 5 6 7 8 9 10 11

IF32 301-D APPROVAL.dft

| REV | DESCRIPTION | DATE | ECN # | APPR |
|-----|-----------------|-----------|-------|------|
| A | INITIAL RELEASE | 00-XXX-19 | XXXXX | MM |
| | | | | |
| | | | | |
| | | | | |

****RACKS ARE ONLY MEANT TO BE MOVED WHEN EMPTY, FOR CLEANING PURPOSES. DO NOT MOVE RACKS WHEN LOADED, DOING SO WILL VOID YOUR WARRANTY****



SECTION C-C

APPROVED BY: _____ DATE: _____

AS SHOWN
(PROCEED WITH FABRICATION)

AS NOTED
(TO BE RESUBMITTED FOR FINAL APPROVAL)

| | | | | |
|---|--|--|---------------------------------------|---|
| MOPEC LEGAL NOTE THE DRAWING, DESIGN AND INFORMATION PROVIDED IS INTENDED TO BE USED SOLELY BY THE CUSTOMER AS A REFERENCE. UNAUTHORIZED DISCLOSURE TO THIRD PARTIES, USE, DUPLICATION, EDITING OR MODIFICATIONS, WITHOUT PRIOR WRITTEN PERMISSION FROM MOPEC INC, IS STRICTLY FORBIDDEN AND IS IN VIOLATION OF U.S. COPYRIGHT LAWS AND WILL BE SUBJECT TO CIVIL DAMAGES AND PROSECUTION. | UNLESS OTHERWISE SPECIFIED ALL DIMENSIONS IN INCHES TOLERANCES 0.00 ± 0.01 in 0.000 ± 0.005 in 0.0000 ± 0.010 in 0.00000 ± 0.0010 in ANGLES ±0.5° | CUSTOMER NAME Error: No reference CITY, STATE Error: No reference PROJECT # Error: No reference | DRAWN TO 3RD ANGLE PROJECTION | |
| | BREAK ALL CORNERS 0.063 X 45° ALL FILLET RADII R0.063 (0.125in) INSPECT OVAL DIMENSIONS | DRAWN BY: jrudolph DATE: 9/18/2023 | CHECKED BY: _____ DATE: 9/18/2023 | PRODUCT NAME: IF32 301-D DESCRIPTION: 32 X 3 X 01 - IF RACK - ASSY |
| | APPROVED BY: M.McCLAIN DATE: 9/18/2023 | SIZE: A2 DRAWING NUMBER: IF32 301-D APPROVAL.dft SCALE: 1:1 | DO NOT SCALE IF IN DOUBT ASK | REV: A SHEET 2 OF 2 |

IF32 301-D APPROVAL.dft